

ADDENDUM NO. 2:
ISSUED: June 11, 2020
to the Project Manual for

GLOBAL CAMPUS FIRST FLOOR RENOVATION
Fayetteville, Arkansas

POLK STANLEY WILCOX ARCHITECTS
509 W. SPRING STREET, SUITE 150
FAYETTEVILLE, ARKANSAS 72701

This addendum forms a part of the contract documents and modifies or interprets the Project Manual and/or Drawings as noted herein.

GENERAL INFORMATION:

Attached the Agenda that was presented during the Pre-Bid Conference. This agenda covers standard construction procedures when working on University projects.

ADDENDUM SPECIFICATION SECTIONS:

REVISED TABLE OF CONTENTS (00 0010) of original issue date 05/15/2020 and revised 06/11/2020 are attached to this addendum and made part of the Bid Documents.

REVISED BID FORM (00 4100) of original issue date 05/15/2020 and revised 06/11/2020 are attached to this addendum and are made a part of the Bid Documents.

ADDED SECTION (01 5010) – “ OSHA GUIDELINES FOR TRENCH SAFETY 29 CFR 1926 SUBPART B” dated 06/11/2020 are attached to this addendum and are made a part of the Bid Documents.

REVISED DRAWINGS:

N/A

END OF ADDENDUM NO. 2



CONTRACTED SERVICES
AGENDA FOR PRE-BID CONFERENCE

PROJECT: **Global Campus: 1st Floor Renovation**

DATE: **June 4, 2020**

NOTE: This meeting will have limited information primarily for items that could affect the bid amounts. A more in-depth discussion will be held at the pre-construction meeting that will cover the various rules and working conditions.

- 1 - Introductions: (Sign in sheet should be circulated)
- 2 - There will be limited parking at the site for vehicles. All other parking will be off-site. Parking within the construction site will be controlled by the contractor. Parking outside the site will be limited and controlled by Transit and Parking. All construction vehicles parked on campus outside the site must display a current University parking permit. Those can be purchased from the Transit and Parking Department, 155 Razorback Road, ADSB 131, Fayetteville, Arkansas 72701, phone 479-575-PARK, e-mail: parking@uark.edu, web site: www.uark.edu/parking
Visitor parking permits authorize parking in lots designated as Faculty/Staff (yellow), Student (green) and Remote (orange). They DO NOT authorize parking in lots or spaces designated as Reserved or Resident Reserved (blue), 24 Hour Reserved, Handicap or at parking meters without paying the meter fee.
- 3 - Payment requests for material stored off-site will be approved if the material is stored in a bonded warehouse and adequately marked for use on this specific job. The Architect/Owner will verify this. The requests must have copies of invoices and insurance certificates attached;
- 4 - Project limits are all shown on the Drawings. Coordinate work to prevent interference with Owner's operations;
- 5 - Protect all trees with fencing placed at drip-line;
- 6 - Portable toilet location will be verified at site (if applicable);
- 7 - The Contractor is required to install and pay for construction utilities (if applicable), and a telephone/fax;
- 8- Appropriate security measures are to be observed. Any required University keys will be signed out, by the Contractor, at the Facilities Management Key Desk. Any Facilities Management keys that are checked out must be returned upon completion of the project, in order to process the Final Pay Request. Any project keys required for Owner's access will be provided by the Contractor;
- 9- A SWPPP will be drawn by the civil engineer. It is the responsibility of the contractor to fully implement and adhere to storm water protection rules;
- 10- The University of Arkansas is a tobacco free campus. No smoking materials are allowed on the jobsite or any university grounds or buildings;

- 11- Renovation projects – asbestos abatement performed in house;
- 12- UA IDIQ contracts to be used by contractors for AV-IT; Security Systems, HVAC controls, etc.;
- 13- Soil and material testing should not be part of contractors bid.

Revised 6/3/2020, 5/26/2011, 11/10/10, 7/17/07, 4/25/06, 7/19/04

**TABLE OF CONTENTS
FOR
GLOBAL CAMPUS
FIRST FLOOR RENOVATION
FAYETTEVILLE, ARKANSAS
PSW PROJECT NO. 245R**

DIVISION 00 - PROCUREMENT AND CONTRACTING REQUIREMENTS

00 1300	INVITATION TO BID
00 2000	INSTRUCTION TO BIDDERS
00 4100	BID FORM
00 5200	AGREEMENT FORM AIA A101 - 2017 EXHIBIT "A" INSURANCE AND BONDS
00 6110	CONSENT OF SURETY
00 6140	PERFORMANCE AND PAYMENT BOND
00 6400	RELEASE OF CLAIMS CONTRACT AND GRANT DISCLOSURE AND CERTIFICATION FORM
00 7000	GENERAL CONDITIONS

DIVISION 01 - GENERAL REQUIREMENTS

01 1000	SUMMARY OF WORK
01 2300	ALTERNATES
01 3000	SUBMITTALS AND SUBSTITUTIONS Substitution Request Form
01 3250	PROJECT CLOSE-OUT SUBMITTALS
01 5000	TEMPORARY FACILITIES AND CONTROLS
01 5010	OSHA GUIDELINES FOR TRENCH SAFETY 29 CFR 1926 SUBPART P
01 7000	CLEANING

DIVISION 02 - EXISTING CONDITIONS

02 0500	DEMOLITION FOR INTERIOR RENOVATION
---------	------------------------------------

DIVISION 03 - CONCRETE

03 3000	CAST IN PLACE CONCRETE
---------	------------------------

DIVISION 04 - MASONRY - NOT USED

DIVISION 05 - METALS - NOT USED

DIVISION 06 - WOOD, PLASTICS AND COMPOSITES

06 1600	GYPSUM SHEATHING
06 4000	ARCHITECTURAL WOODWORK

DIVISION 07 - THERMAL AND MOISTURE PROTECTION

07 8500 FIRESTOPPING
07 9000 JOINT SEALANTS

DIVISION 08 - OPENINGS

08 3500 SIDE COILING GRILLES
08 4000 ENTRANCES AND STOREFRONTS
08 7500 AUTOMATIC DOOR OPERATORS AND ACTIVATORS
08 8000 GLAZING

DIVISION 09 - FINISHES

09 2100 SPRAYED ACOUSTICAL TREATMENT
09 2500 GYPSUM DRYWALL
09 3100 TILE
09 5100 ACOUSTICAL CEILINGS
09 6800 CARPET
09 7200 WALL COVERING
09 8400 ACOUSTICAL WALL PANELS
09 9000 PAINTING

DIVISION 10 - SPECIALTIES

10 1500 TOILET PARTITIONS
10 5200 FIRE PROTECTION SPECIALTIES
10 8000 TOILET AND BATH ACCESSORIES

DIVISION 11 – EQUIPMENT

11 4500 RESIDENTIAL EQUIPMENT

DIVISION 12 – FURNISINGS

12 6500 FURNITURE AND ACCESSORIES

DIVISION 13 - DIVISION 14 - NOT USED

DIVISION 21 - FIRE SUPPRESSION

21 0517 SLEEVES AND SLEEVE SEALS FOR FIRE-SUPPRESSION PIPING
21 0518 ESCUTCHEONS FOR FIRE-SUPPRESSION PIPING
21 0523 GENERAL-DUTY VALVES FOR WATER-BASED FIRE-SUPPRESSION PIPING
21 0548 VIBRATION AND SEISMIC CONTROLS FOR FIRE-SUPPRESSION PIPING AND EQUIPMENT
21 0553 IDENTIFICATION FOR FIRE-SUPPRESSION PIPING AND EQUIPMENT
21 1313 WET-PIPE SPRINKLER SYSTEMS

DIVISION 22 - PLUMBING

22 0517	SLEEVES AND SLEEVE SEALS FOR PLUMBING PIPING
22 0518	ESCUTCHEONS FOR PLUMBING PIPING
22 0523	GENERAL-DUTY VALVES FOR PLUMBING PIPING
22 0529	HANGERS AND SUPPORTS FOR PLUMBING PIPING AND EQUIPMENT
22 0548.13	VIBRATION CONTROLS FOR PLUMBING PIPING AND EQUIPMENT
22 0553	IDENTIFICATION FOR PLUMBING PIPING AND EQUIPMENT
22 0719	PLUMBING PIPING INSULATION
22 1116	DOMESTIC WATER PIPING
22 1119	DOMESTIC WATER PIPING SPECIALTIES
22 1316	SANITARY WASTE AND VENT PIPING
22 1319	SANITARY WASTE PIPING SPECIALTIES
22 4100	RESIDENTIAL PLUMBING FIXTURES

DIVISION 23 - HEATING, VENTILATING AND AIR CONDITIONING

23 0130.52	EXISTING HVAC AIR DISTRIBUTION SYSTEM CLEANING
23 0513	COMMON MOTOR REQUIREMENTS FOR HVAC EQUIPMENT
23 0517	SLEEVES AND SLEEVE SEALS FOR HVAC PIPING
23 0518	ESCUTCHEONS FOR HVAC PIPING
23 0519	METERS AND GAGES FOR HVAC PIPING
23 0523.10	GLOBE VALVES FOR HVAC PIPING
23 0529	HANGERS AND SUPPORTS FOR HVAC PIPING AND EQUIPMENT
23 0548.13	VIBRATION CONTROLS FOR HVAC
23 0553	IDENTIFICATION FOR HVAC PIPING AND EQUIPMENT
23 0593	TESTING, ADJUSTING, AND BALANCING FOR HVAC
23 0713	DUCT INSULATION
23 0716	HVAC EQUIPMENT INSULATION
23 0923	DIRECT DIGITAL CONTROLS SYSTEM
23 2113	HYDRONIC PIPING
23 2116	HYDRONIC PIPING SPECIALTIES
23 2500	HVAC WATER TREATMENT
23 3113	METAL DUCTS
23 3300	AIR DUCT ACCESSORIES
23 3346	FLEXIBLE DUCTS
23 3416	CENTRIFUGAL HVAC FANS
23 3423	HVAC POWER VENTILATORS
23 3713.13	AIR DIFFUSERS, REGISTERS, AND GRILLES
23 8146	WATER-SOURCE UNITARY HEAT PUMPS

DIVISION 26 - ELECTRICAL

26 0519	LOW-VOLTAGE ELECTRICAL POWER CONDUCTORS AND CABLES
26 0526	GROUNDING AND BONDING FOR ELECTRICAL SYSTEMS
26 0529	HANGERS AND SUPPORTS FOR ELECTRICAL SYSTEMS
26 0533	RACEWAYS AND BOXES FOR ELECTRICAL SYSTEMS
26 0539	UNDERFLOOR RACEWAYS FOR ELECTRICAL SYSTEMS
26 0544	SLEEVES AND SLEEVE SEALS FOR ELECTRICAL RACEWAYS AND CABLING
26 0553	IDENTIFICATION FOR ELECTRICAL SYSTEMS
26 0923	LIGHTING CONTROL DEVICES
26 2200	LOW-VOLTAGE TRANSFORMERS
26 2416	PANELBOARDS
26 2726	WIRING DEVICES
26 2816	ENCLOSED SWITCHES AND CIRCUIT BREAKERS
26 5119	LED INTERIOR LIGHTING

DIVISION 27 – COMMUNICATIONS – NOT USED

DIVISION 28 - ELECTRONIC SAFETY AND SECURITY – NOT USED

DIVISION 29 - AUTOMATIC TEMPERATURE CONTROLS – NOT USED

DIVISION 31 – EARTHWORK

31 2323	GEOFOAM LIGHTWEIGHT FILL
---------	--------------------------

DIVISION 32 - EXTERIOR IMPROVEMENTS – NOT USED

DIVISION 33 – UTILITIES – NOT USED

BID FORM
Section 00 4100

Bid Time: 2:00 PM
Bid Date: Tuesday June 23, 2020
Location: 321 Administration Building
University Of Arkansas
Fayetteville, AR 72701

BID FROM: _____

BID TO: University of Arkansas Board of Trustees acting for and on behalf of The University of Arkansas at The University of Arkansas at Fayetteville

PROJECT: Global Campus First Floor Renovation

Gentlemen:

1. Having carefully examined the Contract Documents for this project, as well as the premises and all conditions affecting the proposed construction, the undersigned proposes to provide all labor, materials, services, taxes and equipment necessary for, or incidental to, the construction of the project in accordance with the Contract Documents within the time set forth, for the lump sum base bid of:

\$ _____ Dollars

(\$ _____).
Dollar Amount Shown Numerically

2. **Deductive Alternates:** Alternates described in Section 01 2300.

DEDUCTIVE ALTERNATE NO.1:

Deduct the sum of _____ Dollars

(\$ _____).
Dollar Amount Shown Numerically

3. For Accounting Purposes, the Owner requests that the General Contractor provide a Line Item for the Purchase and Installation of the Water Source Heat Pumps including associated Controls. The following amount is to be included in the Base Bid for this project.

\$ _____ Dollars

(\$ _____).
Dollar Amount Shown Numerically

4. Ark. Code Ann. § 22-9-212 requires the contractor to indicate on this bid form the cost of Trenching Safety Systems. **FAILURE TO SHOW THIS COST WILL INVALIDATE THE BID.** (NOTE THIS COST SHALL BE INCLUDED IN THE ABOVE BASE BID. REFER TO SPECIFICATIONS SECTION 01 5010)

\$ _____ Dollars

(\$ _____).
Dollar Amount Shown Numerically

5. **Completion Time:** Bidder agrees that the work will be substantially complete and ready for final payment in accordance with the Contract Documents within 270 consecutive calendar days of the date established in a written notice to proceed.
6. The undersigned, in compliance with the Contract Documents for the construction of the above named project, does hereby declare:
 - a. That the undersigned understands that the Owner reserves the right to reject any and all bids and to waive any formality.
 - b. That if awarded the Contract, the undersigned will enter into an Agreement, on a form identical to the form included in the Contract Documents and execute required performance and payment bonds within 10 days after receipt of the Intent to Award, will commence work within 10 days after the date of the Notice to Proceed, and will complete the Contract fully within the time for completion as indicated. Should the undersigned fail to fully complete the work within the above stated time, he shall pay the Owner as fixed, agreed and liquidated damages and not as a penalty, the sum of Zero Dollars (\$0.00) for each calendar day of delay until the work is completed or accepted.
 - c. The undersigned further agrees that the bid security payable to Owner and accompanying this proposal shall become the property of the Owner as liquidated damages if the undersigned fails to execute the Contract or to deliver the required bonds to the Owner within 10 days from receipt of the Intent to Award as these acts constitute a breach of the Contractor's duties.
 - d. That this bid may not be withdrawn for a period of 30 days after the bid opening.
 - e. The undersigned understands that the Owner's intent is to construct all facilities proposed within the limits established by the funds appropriated for the project.
 - f. The names of subcontractors and the nature of the work to be performed by each one have been included on the Bid Form.
 - g. Bids submitted by a "Joint Venture/Joint Adventure" shall be signed by representatives of each component part of the Joint Venture. The licenses of each component part of the Joint Venture shall also be listed in the bid submittal. Therefore, joint venture bidders shall indicate at least two (2) signatures and two (2) license numbers on the Bid Form. Exception: Joint Ventures who have been properly licensed with the Arkansas Contractors Licensing Board as a "Joint Venture" need only to indicate the joint venture license number on the Bid Form. Joint Venture bidders shall indicate at least two (2) signatures on the Bid Form even if they are licensed as a joint venture.

7. Separate Contracts held by the Owner: Cost to purchase and installation of all Steelcase furniture shall be provided by the owner under separate contract.

- a. All other furniture required to be provided by the contractor can be found in Section 12 6500.
- b. The contractor shall be responsible to coordinate directly with the owner's furniture supplier to schedule, arrange delivery and installation schedule to meet the owners' scheduled completion date.
- c. Contractor shall perform a punch walk after furniture installation and coordinate repairs with the owner's furniture supplier.

8. The following documents are attached to and made a condition of this Bid.
 - a. Bid security.
 - b. Listing of Mechanical, Plumbing, Electrical and Roofing Subcontractors, if required.

9. The undersigned acknowledges receipt of and inclusion as a part of the Contract Documents the following addenda:

No. _____	Dated _____	No. _____	Dated _____
No. _____	Dated _____	No. _____	Dated _____
No. _____	Dated _____	No. _____	Dated _____

10. LISTING OF MECHANICAL, PLUMBING, ELECTRICAL AND ROOFING SUBCONTRACTORS

ALL MECHANICAL, PLUMBING, ELECTRICAL AND ROOFING SUBCONTRACTORS SHALL BE LISTED REGARDLESS OF QUALIFICATIONS, LICENSURES OR WORK AMOUNT. BIDDERS SHOULD CONSULT THE PROJECT MANUAL ON HOW TO FILL OUT THIS FORM. FAILURE TO NAME THE SUBCONTRACTOR IN THE SPACE PROVIDED SHALL CAUSE THE BID TO BE DECLARED NON-RESPONSIVE AND THE BID WILL NOT RECEIVE CONSIDERATION.

Indicate the Name(s), of each entity performing the listed work:

MECHANICAL: (Indicative of HVAC)

Name: _____ License No. _____
Is the amount of work \$20,000.00 or over: Yes ___ No ___

PLUMBING:

Name: _____ License No. _____
Is the amount of work \$20,000.00 or over: Yes ___ No ___

ELECTRICAL: (Indicative of wiring and illuminating fixtures)

Name: _____ License No. _____
Is the amount of work \$20,000.00 or over: Yes ___ No ___

Respectfully Submitted:

Name of Bidder (Typed or Printed)

Address

BY: (Signature and Title)

Contractor's Joint Venture License Number(s) or Contractor's License No.

Telephone Number Fax Number

Federal ID Number or Social Security Number

Date of Bid

PART 1 - GENERAL

1.01 EXCAVATION SAFETY PROCEDURES

- A. In accordance with Ark. Code Ann. 22-9-212, the Contractor shall include a separate pay item for trench or excavation safety systems for any trench or excavation which equals or exceeds five (5) feet in depth and this pay item shall be a part of the base bid.

- B. The Occupational Safety and Health Administration (OSHA) Safety and Health Regulations for Construction, 29 CFR 1926, Subpart P - Excavations is hereby incorporated into this Project Manual following this Section.

PART 2 - PRODUCTS (Not Applicable)

PART 3 - EXECUTION (Not Applicable)

END OF DOCUMENT

If it is necessary to stand at the outboard or inboard edge of the deckload where less than 24 inches of bulwark, rail, coaming, or other protection exists, all employees shall be provided with a suitable means of protection against falling from the deckload.

(d) *First-aid and lifesaving equipment.*

(1) Provisions for rendering first aid and medical assistance shall be in accordance with subpart D of this part.

(2) The employer shall ensure that there is in the vicinity of each barge in use at least one U.S. Coast Guard-approved 30-inch lifering with not less than 90 feet of line attached, and at least one portable or permanent ladder which will reach the top of the apron to the surface of the water. If the above equipment is not available at the pier, the employer shall furnish it during the time that he is working the barge.

(3) Employees walking or working on the unguarded decks of barges shall be protected with U.S. Coast Guard-approved work vests or buoyant vests.

(e) *Commercial diving operations.* Commercial diving operations shall be subject to subpart T of part 1910, §§ 1910.401-1910.441, of this chapter.

[39 FR 22801, June 24, 1974, as amended at 42 FR 37674, July 22, 1977]

§ 1926.606 Definitions applicable to this subpart.

(a) *Apron*—The area along the water-front edge of the pier or wharf.

(b) *Bulwark*—The side of a ship above the upper deck.

(c) *Coaming*—The raised frame, as around a hatchway in the deck, to keep out water.

(d) *Jacob's ladder*—A marine ladder of rope or chain with wooden or metal rungs.

(e) *Rail*, for the purpose of § 1926.605, means a light structure serving as a guard at the outer edge of a ship's deck.

Subpart P—Excavations

AUTHORITY: Sec. 107, Contract Worker Hours and Safety Standards Act (Construction Safety Act) (40 U.S.C. 333); Secs. 4, 6, 8, Occupational Safety and Health Act of 1970 (29 U.S.C. 653, 655, 657); Secretary of Labor's Order No. 12-71 (36 FR 8754), 8-76 (41 FR

25059), or 9-83 (48 FR 35736), as applicable, and 29 CFR part 1911.

SOURCE: 54 FR 45959, Oct. 31, 1989, unless otherwise noted.

§ 1926.650 Scope, application, and definitions applicable to this subpart.

(a) *Scope and application.* This subpart applies to all open excavations made in the earth's surface. Excavations are defined to include trenches.

(b) *Definitions applicable to this subpart.*

Accepted engineering practices means those requirements which are compatible with standards of practice required by a registered professional engineer.

Aluminum Hydraulic Shoring means a pre-engineered shoring system comprised of aluminum hydraulic cylinders (crossbraces) used in conjunction with vertical rails (uprights) or horizontal rails (walers). Such system is designed, specifically to support the sidewalls of an excavation and prevent cave-ins.

Bell-bottom pier hole means a type of shaft or footing excavation, the bottom of which is made larger than the cross section above to form a belled shape.

Benching (Benching system) means a method of protecting employees from cave-ins by excavating the sides of an excavation to form one or a series of horizontal levels or steps, usually with vertical or near-vertical surfaces between levels.

Cave-in means the separation of a mass of soil or rock material from the side of an excavation, or the loss of soil from under a trench shield or support system, and its sudden movement into the excavation, either by falling or sliding, in sufficient quantity so that it could entrap, bury, or otherwise injure and immobilize a person.

Competent person means one who is capable of identifying existing and predictable hazards in the surroundings, or working conditions which are unsanitary, hazardous, or dangerous to employees, and who has authorization to take prompt corrective measures to eliminate them.

Cross braces mean the horizontal members of a shoring system installed perpendicular to the sides of the excavation, the ends of which bear against either uprights or wales.

Excavation means any man-made cut, cavity, trench, or depression in an earth surface, formed by earth removal.

Faces or sides means the vertical or inclined earth surfaces formed as a result of excavation work.

Failure means the breakage, displacement, or permanent deformation of a structural member or connection so as to reduce its structural integrity and its supportive capabilities.

Hazardous atmosphere means an atmosphere which by reason of being explosive, flammable, poisonous, corrosive, oxidizing, irritating, oxygen deficient, toxic, or otherwise harmful, may cause death, illness, or injury.

Kickout means the accidental release or failure of a cross brace.

Protective system means a method of protecting employees from cave-ins, from material that could fall or roll from an excavation face or into an excavation, or from the collapse of adjacent structures. Protective systems include support systems, sloping and benching systems, shield systems, and other systems that provide the necessary protection.

Ramp means an inclined walking or working surface that is used to gain access to one point from another, and is constructed from earth or from structural materials such as steel or wood.

Registered Professional Engineer means a person who is registered as a professional engineer in the state where the work is to be performed. However, a professional engineer, registered in any state is deemed to be a "registered professional engineer" within the meaning of this standard when approving designs for "manufactured protective systems" or "tabulated data" to be used in interstate commerce.

Sheeting means the members of a shoring system that retain the earth in position and in turn are supported by other members of the shoring system.

Shield (Shield system) means a structure that is able to withstand the forces imposed on it by a cave-in and thereby protect employees within the structure. Shields can be permanent structures or can be designed to be portable and moved along as work progresses. Additionally, shields can be either premanufactured or job-built in

accordance with § 1926.652 (c)(3) or (c)(4). Shields used in trenches are usually referred to as "trench boxes" or "trench shields."

Shoring (Shoring system) means a structure such as a metal hydraulic, mechanical or timber shoring system that supports the sides of an excavation and which is designed to prevent cave-ins.

Sides. See "Faces."

Sloping (Sloping system) means a method of protecting employees from cave-ins by excavating to form sides of an excavation that are inclined away from the excavation so as to prevent cave-ins. The angle of incline required to prevent a cave-in varies with differences in such factors as the soil type, environmental conditions of exposure, and application of surcharge loads.

Stable rock means natural solid mineral material that can be excavated with vertical sides and will remain intact while exposed. Unstable rock is considered to be stable when the rock material on the side or sides of the excavation is secured against caving-in or movement by rock bolts or by another protective system that has been designed by a registered professional engineer.

Structural ramp means a ramp built of steel or wood, usually used for vehicle access. Ramps made of soil or rock are not considered structural ramps.

Support system means a structure such as underpinning, bracing, or shoring, which provides support to an adjacent structure, underground installation, or the sides of an excavation.

Tabulated data means tables and charts approved by a registered professional engineer and used to design and construct a protective system.

Trench (Trench excavation) means a narrow excavation (in relation to its length) made below the surface of the ground. In general, the depth is greater than the width, but the width of a trench (measured at the bottom) is not greater than 15 feet (4.6 m). If forms or other structures are installed or constructed in an excavation so as to reduce the dimension measured from the forms or structure to the side of the excavation to 15 feet (4.6 m) or less

(measured at the bottom of the excavation), the excavation is also considered to be a trench.

Trench box. See “Shield.”

Trench shield. See “Shield.”

Uprights means the vertical members of a trench shoring system placed in contact with the earth and usually positioned so that individual members do not contact each other. Uprights placed so that individual members are closely spaced, in contact with or interconnected to each other, are often called “sheeting.”

Wales means horizontal members of a shoring system placed parallel to the excavation face whose sides bear against the vertical members of the shoring system or earth.

§ 1926.651 Specific excavation requirements.

(a) *Surface encumbrances.* All surface encumbrances that are located so as to create a hazard to employees shall be removed or supported, as necessary, to safeguard employees.

(b) *Underground installations.* (1) The estimated location of utility installations, such as sewer, telephone, fuel, electric, water lines, or any other underground installations that reasonably may be expected to be encountered during excavation work, shall be determined prior to opening an excavation.

(2) Utility companies or owners shall be contacted within established or customary local response times, advised of the proposed work, and asked to establish the location of the utility underground installations prior to the start of actual excavation. When utility companies or owners cannot respond to a request to locate underground utility installations within 24 hours (unless a longer period is required by state or local law), or cannot establish the exact location of these installations, the employer may proceed, provided the employer does so with caution, and provided detection equipment or other acceptable means to locate utility installations are used.

(3) When excavation operations approach the estimated location of underground installations, the exact location of the installations shall be determined by safe and acceptable means.

(4) While the excavation is open, underground installations shall be protected, supported or removed as necessary to safeguard employees.

(c) *Access and egress*—(1) *Structural ramps.* (i) Structural ramps that are used solely by employees as a means of access or egress from excavations shall be designed by a competent person. Structural ramps used for access or egress of equipment shall be designed by a competent person qualified in structural design, and shall be constructed in accordance with the design.

(ii) Ramps and runways constructed of two or more structural members shall have the structural members connected together to prevent displacement.

(iii) Structural members used for ramps and runways shall be of uniform thickness.

(iv) Cleats or other appropriate means used to connect runway structural members shall be attached to the bottom of the runway or shall be attached in a manner to prevent tripping.

(v) Structural ramps used in lieu of steps shall be provided with cleats or other surface treatments on the top surface to prevent slipping.

(2) *Means of egress from trench excavations.* A stairway, ladder, ramp or other safe means of egress shall be located in trench excavations that are 4 feet (1.22 m) or more in depth so as to require no more than 25 feet (7.62 m) of lateral travel for employees.

(d) *Exposure to vehicular traffic.* Employees exposed to public vehicular traffic shall be provided with, and shall wear, warning vests or other suitable garments marked with or made of reflectorized or high-visibility material.

(e) *Exposure to falling loads.* No employee shall be permitted underneath loads handled by lifting or digging equipment. Employees shall be required to stand away from any vehicle being loaded or unloaded to avoid being struck by any spillage or falling materials. Operators may remain in the cabs of vehicles being loaded or unloaded when the vehicles are equipped, in accordance with §1926.601(b)(6), to provide adequate protection for the operator during loading and unloading operations.

(f) *Warning system for mobile equipment.* When mobile equipment is operated adjacent to an excavation, or when such equipment is required to approach the edge of an excavation, and the operator does not have a clear and direct view of the edge of the excavation, a warning system shall be utilized such as barricades, hand or mechanical signals, or stop logs. If possible, the grade should be away from the excavation.

(g) *Hazardous atmospheres—(1) Testing and controls.* In addition to the requirements set forth in subparts D and E of this part (29 CFR 1926.50–1926.107) to prevent exposure to harmful levels of atmospheric contaminants and to assure acceptable atmospheric conditions, the following requirements shall apply:

(i) Where oxygen deficiency (atmospheres containing less than 19.5 percent oxygen) or a hazardous atmosphere exists or could reasonably be expected to exist, such as in excavations in landfill areas or excavations in areas where hazardous substances are stored nearby, the atmospheres in the excavation shall be tested before employees enter excavations greater than 4 feet (1.22 m) in depth.

(ii) Adequate precautions shall be taken to prevent employee exposure to atmospheres containing less than 19.5 percent oxygen and other hazardous atmospheres. These precautions include providing proper respiratory protection or ventilation in accordance with subparts D and E of this part respectively.

(iii) Adequate precaution shall be taken such as providing ventilation, to prevent employee exposure to an atmosphere containing a concentration of a flammable gas in excess of 20 percent of the lower flammable limit of the gas.

(iv) When controls are used that are intended to reduce the level of atmospheric contaminants to acceptable levels, testing shall be conducted as often as necessary to ensure that the atmosphere remains safe.

(2) *Emergency rescue equipment.* (i) Emergency rescue equipment, such as breathing apparatus, a safety harness and line, or a basket stretcher, shall be readily available where hazardous at-

mospheric conditions exist or may reasonably be expected to develop during work in an excavation. This equipment shall be attended when in use.

(ii) Employees entering bell-bottom pier holes, or other similar deep and confined footing excavations, shall wear a harness with a life-line securely attached to it. The lifeline shall be separate from any line used to handle materials, and shall be individually attended at all times while the employee wearing the lifeline is in the excavation.

(h) *Protection from hazards associated with water accumulation.* (1) Employees shall not work in excavations in which there is accumulated water, or in excavations in which water is accumulating, unless adequate precautions have been taken to protect employees against the hazards posed by water accumulation. The precautions necessary to protect employees adequately vary with each situation, but could include special support or shield systems to protect from cave-ins, water removal to control the level of accumulating water, or use of a safety harness and lifeline.

(2) If water is controlled or prevented from accumulating by the use of water removal equipment, the water removal equipment and operations shall be monitored by a competent person to ensure proper operation.

(3) If excavation work interrupts the natural drainage of surface water (such as streams), diversion ditches, dikes, or other suitable means shall be used to prevent surface water from entering the excavation and to provide adequate drainage of the area adjacent to the excavation. Excavations subject to runoff from heavy rains will require an inspection by a competent person and compliance with paragraphs (h)(1) and (h)(2) of this section.

(i) *Stability of adjacent structures.* (1) Where the stability of adjoining buildings, walls, or other structures is endangered by excavation operations, support systems such as shoring, bracing, or underpinning shall be provided to ensure the stability of such structures for the protection of employees.

(2) Excavation below the level of the base or footing of any foundation or retaining wall that could be reasonably

expected to pose a hazard to employees shall not be permitted except when:

(i) A support system, such as underpinning, is provided to ensure the safety of employees and the stability of the structure; or

(ii) The excavation is in stable rock; or

(iii) A registered professional engineer has approved the determination that the structure is sufficiently removed from the excavation so as to be unaffected by the excavation activity; or

(iv) A registered professional engineer has approved the determination that such excavation work will not pose a hazard to employees.

(3) Sidewalks, pavements, and appurtenant structure shall not be undermined unless a support system or another method of protection is provided to protect employees from the possible collapse of such structures.

(j) *Protection of employees from loose rock or soil.* (1) Adequate protection shall be provided to protect employees from loose rock or soil that could pose a hazard by falling or rolling from an excavation face. Such protection shall consist of scaling to remove loose material; installation of protective barricades at intervals as necessary on the face to stop and contain falling material; or other means that provide equivalent protection.

(2) Employees shall be protected from excavated or other materials or equipment that could pose a hazard by falling or rolling into excavations. Protection shall be provided by placing and keeping such materials or equipment at least 2 feet (.61 m) from the edge of excavations, or by the use of retaining devices that are sufficient to prevent materials or equipment from falling or rolling into excavations, or by a combination of both if necessary.

(k) *Inspections.* (1) Daily inspections of excavations, the adjacent areas, and protective systems shall be made by a competent person for evidence of a situation that could result in possible cave-ins, indications of failure of protective systems, hazardous atmospheres, or other hazardous conditions. An inspection shall be conducted by the competent person prior to the start of work and as needed throughout

the shift. Inspections shall also be made after every rainstorm or other hazard increasing occurrence. These inspections are only required when employee exposure can be reasonably anticipated.

(2) Where the competent person finds evidence of a situation that could result in a possible cave-in, indications of failure of protective systems, hazardous atmospheres, or other hazardous conditions, exposed employees shall be removed from the hazardous area until the necessary precautions have been taken to ensure their safety.

(1) Walkways shall be provided where employees or equipment are required or permitted to cross over excavations. Guardrails which comply with §1926.502(b) shall be provided where walkways are 6 feet (1.8 m) or more above lower levels.

[54 FR 45959, Oct. 31, 1989, as amended by 59 FR 40730, Aug. 9, 1994]

§ 1926.652 Requirements for protective systems.

(a) *Protection of employees in excavations.* (1) Each employee in an excavation shall be protected from cave-ins by an adequate protective system designed in accordance with paragraph (b) or (c) of this section except when:

(i) Excavations are made entirely in stable rock; or

(ii) Excavations are less than 5 feet (1.52m) in depth and examination of the ground by a competent person provides no indication of a potential cave-in.

(2) Protective systems shall have the capacity to resist without failure all loads that are intended or could reasonably be expected to be applied or transmitted to the system.

(b) *Design of sloping and benching systems.* The slopes and configurations of sloping and benching systems shall be selected and constructed by the employer or his designee and shall be in accordance with the requirements of paragraph (b)(1); or, in the alternative, paragraph (b)(2); or, in the alternative, paragraph (b)(3), or, in the alternative, paragraph (b)(4), as follows:

(1) *Option (1)—Allowable configurations and slopes.* (i) Excavations shall be sloped at an angle not steeper than one and one-half horizontal to one vertical

(34 degrees measured from the horizontal), unless the employer uses one of the other options listed below.

(ii) Slopes specified in paragraph (b)(1)(i) of this section, shall be excavated to form configurations that are in accordance with the slopes shown for Type C soil in Appendix B to this subpart.

(2) *Option (2)—Determination of slopes and configurations using Appendices A and B.* Maximum allowable slopes, and allowable configurations for sloping and benching systems, shall be determined in accordance with the conditions and requirements set forth in appendices A and B to this subpart.

(3) *Option (3)—Designs using other tabulated data.* (i) Designs of sloping or benching systems shall be selected from and be in accordance with tabulated data, such as tables and charts.

(ii) The tabulated data shall be in written form and shall include all of the following:

(A) Identification of the parameters that affect the selection of a sloping or benching system drawn from such data;

(B) Identification of the limits of use of the data, to include the magnitude and configuration of slopes determined to be safe;

(C) Explanatory information as may be necessary to aid the user in making a correct selection of a protective system from the data.

(iii) At least one copy of the tabulated data which identifies the registered professional engineer who approved the data, shall be maintained at the jobsite during construction of the protective system. After that time the data may be stored off the jobsite, but a copy of the data shall be made available to the Secretary upon request.

(4) *Option (4)—Design by a registered professional engineer.* (i) Sloping and benching systems not utilizing Option (1) or Option (2) or Option (3) under paragraph (b) of this section shall be approved by a registered professional engineer.

(ii) Designs shall be in written form and shall include at least the following:

(A) The magnitude of the slopes that were determined to be safe for the particular project;

(B) The configurations that were determined to be safe for the particular project; and

(C) The identity of the registered professional engineer approving the design.

(iii) At least one copy of the design shall be maintained at the jobsite while the slope is being constructed. After that time the design need not be at the jobsite, but a copy shall be made available to the Secretary upon request.

(c) *Design of support systems, shield systems, and other protective systems.* Designs of support systems shield systems, and other protective systems shall be selected and constructed by the employer or his designee and shall be in accordance with the requirements of paragraph (c)(1); or, in the alternative, paragraph (c)(2); or, in the alternative, paragraph (c)(3); or, in the alternative, paragraph (c)(4) as follows:

(1) *Option (1)—Designs using appendices A, C and D.* Designs for timber shoring in trenches shall be determined in accordance with the conditions and requirements set forth in appendices A and C to this subpart. Designs for aluminum hydraulic shoring shall be in accordance with paragraph (c)(2) of this section, but if manufacturer's tabulated data cannot be utilized, designs shall be in accordance with appendix D.

(2) *Option (2)—Designs Using Manufacturer's Tabulated Data.* (i) Design of support systems, shield systems, or other protective systems that are drawn from manufacturer's tabulated data shall be in accordance with all specifications, recommendations, and limitations issued or made by the manufacturer.

(ii) Deviation from the specifications, recommendations, and limitations issued or made by the manufacturer shall only be allowed after the manufacturer issues specific written approval.

(iii) Manufacturer's specifications, recommendations, and limitations, and manufacturer's approval to deviate from the specifications, recommendations, and limitations shall be in written form at the jobsite during construction of the protective system. After that time this data may be stored off the jobsite, but a copy shall

be made available to the Secretary upon request.

(3) *Option (3)—Designs using other tabulated data.* (i) Designs of support systems, shield systems, or other protective systems shall be selected from and be in accordance with tabulated data, such as tables and charts.

(ii) The tabulated data shall be in written form and include all of the following:

(A) Identification of the parameters that affect the selection of a protective system drawn from such data;

(B) Identification of the limits of use of the data;

(C) Explanatory information as may be necessary to aid the user in making a correct selection of a protective system from the data.

(iii) At least one copy of the tabulated data, which identifies the registered professional engineer who approved the data, shall be maintained at the jobsite during construction of the protective system. After that time the data may be stored off the jobsite, but a copy of the data shall be made available to the Secretary upon request.

(4) *Option (4)—Design by a registered professional engineer.* (i) Support systems, shield systems, and other protective systems not utilizing Option 1, Option 2 or Option 3, above, shall be approved by a registered professional engineer.

(ii) Designs shall be in written form and shall include the following:

(A) A plan indicating the sizes, types, and configurations of the materials to be used in the protective system; and

(B) The identity of the registered professional engineer approving the design.

(iii) At least one copy of the design shall be maintained at the jobsite during construction of the protective system. After that time, the design may be stored off the jobsite, but a copy of the design shall be made available to the Secretary upon request.

(d) *Materials and equipment.* (1) Materials and equipment used for protective systems shall be free from damage or defects that might impair their proper function.

(2) Manufactured materials and equipment used for protective systems shall be used and maintained in a man-

ner that is consistent with the recommendations of the manufacturer, and in a manner that will prevent employee exposure to hazards.

(3) When material or equipment that is used for protective systems is damaged, a competent person shall examine the material or equipment and evaluate its suitability for continued use. If the competent person cannot assure the material or equipment is able to support the intended loads or is otherwise suitable for safe use, then such material or equipment shall be removed from service, and shall be evaluated and approved by a registered professional engineer before being returned to service.

(e) *Installation and removal of support—(1) General.* (i) Members of support systems shall be securely connected together to prevent sliding, falling, kickouts, or other predictable failure.

(ii) Support systems shall be installed and removed in a manner that protects employees from cave-ins, structural collapses, or from being struck by members of the support system.

(iii) Individual members of support systems shall not be subjected to loads exceeding those which those members were designed to withstand.

(iv) Before temporary removal of individual members begins, additional precautions shall be taken to ensure the safety of employees, such as installing other structural members to carry the loads imposed on the support system.

(v) Removal shall begin at, and progress from, the bottom of the excavation. Members shall be released slowly so as to note any indication of possible failure of the remaining members of the structure or possible cave-in of the sides of the excavation.

(vi) Backfilling shall progress together with the removal of support systems from excavations.

(2) *Additional requirements for support systems for trench excavations.* (i) Excavation of material to a level no greater than 2 feet (.61 m) below the bottom of the members of a support system shall be permitted, but only if the system is designed to resist the forces calculated for the full depth of the trench, and

there are no indications while the trench is open of a possible loss of soil from behind or below the bottom of the support system.

(ii) Installation of a support system shall be closely coordinated with the excavation of trenches.

(f) *Sloping and benching systems.* Employees shall not be permitted to work on the faces of sloped or benched excavations at levels above other employees except when employees at the lower levels are adequately protected from the hazard of falling, rolling, or sliding material or equipment.

(g) *Shield systems*—(1) *General.* (i) Shield systems shall not be subjected to loads exceeding those which the system was designed to withstand.

(ii) Shields shall be installed in a manner to restrict lateral or other hazardous movement of the shield in the event of the application of sudden lateral loads.

(iii) Employees shall be protected from the hazard of cave-ins when entering or exiting the areas protected by shields.

(iv) Employees shall not be allowed in shields when shields are being installed, removed, or moved vertically.

(2) *Additional requirement for shield systems used in trench excavations.* Excavations of earth material to a level not greater than 2 feet (.61 m) below the bottom of a shield shall be permitted, but only if the shield is designed to resist the forces calculated for the full depth of the trench, and there are no indications while the trench is open of a possible loss of soil from behind or below the bottom of the shield.

APPENDIX A TO SUBPART P OF PART 1926—SOIL CLASSIFICATION

(a) *Scope and application*—(1) *Scope.* This appendix describes a method of classifying soil and rock deposits based on site and environmental conditions, and on the structure and composition of the earth deposits. The appendix contains definitions, sets forth requirements, and describes acceptable visual and manual tests for use in classifying soils.

(2) *Application.* This appendix applies when a sloping or benching system is designed in accordance with the requirements set forth in §1926.652(b)(2) as a method of protection for employees from cave-ins. This appendix also applies when timber shoring for excavations is designed as a method of protection from cave-ins in accordance with appendix C

to subpart P of part 1926, and when aluminum hydraulic shoring is designed in accordance with appendix D. This Appendix also applies if other protective systems are designed and selected for use from data prepared in accordance with the requirements set forth in §1926.652(c), and the use of the data is predicated on the use of the soil classification system set forth in this appendix.

(b) *Definitions.* The definitions and examples given below are based on, in whole or in part, the following: American Society for Testing Materials (ASTM) Standards D653-85 and D2488; The Unified Soils Classification System, The U.S. Department of Agriculture (USDA) Textural Classification Scheme; and The National Bureau of Standards Report BSS-121.

Cemented soil means a soil in which the particles are held together by a chemical agent, such as calcium carbonate, such that a hand-size sample cannot be crushed into powder or individual soil particles by finger pressure.

Cohesive soil means clay (fine grained soil), or soil with a high clay content, which has cohesive strength. Cohesive soil does not crumble, can be excavated with vertical sideslopes, and is plastic when moist. Cohesive soil is hard to break up when dry, and exhibits significant cohesion when submerged. Cohesive soils include clayey silt, sandy clay, silty clay, clay and organic clay.

Dry soil means soil that does not exhibit visible signs of moisture content.

Fissured means a soil material that has a tendency to break along definite planes of fracture with little resistance, or a material that exhibits open cracks, such as tension cracks, in an exposed surface.

Granular soil means gravel, sand, or silt, (coarse grained soil) with little or no clay content. Granular soil has no cohesive strength. Some moist granular soils exhibit apparent cohesion. Granular soil cannot be molded when moist and crumbles easily when dry.

Layered system means two or more distinctly different soil or rock types arranged in layers. Micaceous seams or weakened planes in rock or shale are considered layered.

Moist soil means a condition in which a soil looks and feels damp. Moist cohesive soil can easily be shaped into a ball and rolled into small diameter threads before crumbling. Moist granular soil that contains some cohesive material will exhibit signs of cohesion between particles.

Plastic means a property of a soil which allows the soil to be deformed or molded without cracking, or appreciable volume change.

Saturated soil means a soil in which the voids are filled with water. Saturation does not require flow. Saturation, or near saturation, is necessary for the proper use of instruments such as a pocket penetrometer or shear vane.

Soil classification system means, for the purpose of this subpart, a method of categorizing soil and rock deposits in a hierarchy of Stable Rock, Type A, Type B, and Type C, in decreasing order of stability. The categories are determined based on an analysis of the properties and performance characteristics of the deposits and the environmental conditions of exposure.

Stable rock means natural solid mineral matter that can be excavated with vertical sides and remain intact while exposed.

Submerged soil means soil which is underwater or is free seeping.

Type A means cohesive soils with an unconfined compressive strength of 1.5 ton per square foot (tsf) (144 kPa) or greater. Examples of cohesive soils are: clay, silty clay, sandy clay, clay loam and, in some cases, silty clay loam and sandy clay loam. Cemented soils such as caliche and hardpan are also considered Type A. However, no soil is Type A if:

- (i) The soil is fissured; or
- (ii) The soil is subject to vibration from heavy traffic, pile driving, or similar effects; or
- (iii) The soil has been previously disturbed; or
- (iv) The soil is part of a sloped, layered system where the layers dip into the excavation on a slope of four horizontal to one vertical (4H:1V) or greater; or
- (v) The material is subject to other factors that would require it to be classified as a less stable material.

Type B means:

- (i) Cohesive soil with an unconfined compressive strength greater than 0.5 tsf (48 kPa) but less than 1.5 tsf (144 kPa); or
- (ii) Granular cohesionless soils including: angular gravel (similar to crushed rock), silt, silt loam, sandy loam and, in some cases, silty clay loam and sandy clay loam.
- (iii) Previously disturbed soils except those which would otherwise be classed as Type C soil.
- (iv) Soil that meets the unconfined compressive strength or cementation requirements for Type A, but is fissured or subject to vibration; or
- (v) Dry rock that is not stable; or
- (vi) Material that is part of a sloped, layered system where the layers dip into the excavation on a slope less steep than four horizontal to one vertical (4H:1V), but only if the material would otherwise be classified as Type B.

Type C means:

- (i) Cohesive soil with an unconfined compressive strength of 0.5 tsf (48 kPa) or less; or
- (ii) Granular soils including gravel, sand, and loamy sand; or
- (iii) Submerged soil or soil from which water is freely seeping; or
- (iv) Submerged rock that is not stable, or

(v) Material in a sloped, layered system where the layers dip into the excavation or a slope of four horizontal to one vertical (4H:1V) or steeper.

Unconfined compressive strength means the load per unit area at which a soil will fail in compression. It can be determined by laboratory testing, or estimated in the field using a pocket penetrometer, by thumb penetration tests, and other methods.

Wet soil means soil that contains significantly more moisture than moist soil, but in such a range of values that cohesive material will slump or begin to flow when vibrated. Granular material that would exhibit cohesive properties when moist will lose those cohesive properties when wet.

(c) *Requirements*—(1) *Classification of soil and rock deposits.* Each soil and rock deposit shall be classified by a competent person as Stable Rock, Type A, Type B, or Type C in accordance with the definitions set forth in paragraph (b) of this appendix.

(2) *Basis of classification.* The classification of the deposits shall be made based on the results of at least one visual and at least one manual analysis. Such analyses shall be conducted by a competent person using tests described in paragraph (d) below, or in other recognized methods of soil classification and testing such as those adopted by the American Society for Testing Materials, or the U.S. Department of Agriculture textural classification system.

(3) *Visual and manual analyses.* The visual and manual analyses, such as those noted as being acceptable in paragraph (d) of this appendix, shall be designed and conducted to provide sufficient quantitative and qualitative information as may be necessary to identify properly the properties, factors, and conditions affecting the classification of the deposits.

(4) *Layered systems.* In a layered system, the system shall be classified in accordance with its weakest layer. However, each layer may be classified individually where a more stable layer lies under a less stable layer.

(5) *Reclassification.* If, after classifying a deposit, the properties, factors, or conditions affecting its classification change in any way, the changes shall be evaluated by a competent person. The deposit shall be reclassified as necessary to reflect the changed circumstances.

(d) *Acceptable visual and manual tests*—(1) *Visual tests.* Visual analysis is conducted to determine qualitative information regarding the excavation site in general, the soil adjacent to the excavation, the soil forming the sides of the open excavation, and the soil taken as samples from excavated material.

(i) Observe samples of soil that are excavated and soil in the sides of the excavation. Estimate the range of particle sizes and the relative amounts of the particle sizes. Soil that is primarily composed of fine-grained

material is cohesive material. Soil composed primarily of coarse-grained sand or gravel is granular material.

(ii) Observe soil as it is excavated. Soil that remains in clumps when excavated is cohesive. Soil that breaks up easily and does not stay in clumps is granular.

(iii) Observe the side of the opened excavation and the surface area adjacent to the excavation. Crack-like openings such as tension cracks could indicate fissured material. If chunks of soil spill off a vertical side, the soil could be fissured. Small spalls are evidence of moving ground and are indications of potentially hazardous situations.

(iv) Observe the area adjacent to the excavation and the excavation itself for evidence of existing utility and other underground structures, and to identify previously disturbed soil.

(v) Observe the opened side of the excavation to identify layered systems. Examine layered systems to identify if the layers slope toward the excavation. Estimate the degree of slope of the layers.

(vi) Observe the area adjacent to the excavation and the sides of the opened excavation for evidence of surface water, water seeping from the sides of the excavation, or the location of the level of the water table.

(vii) Observe the area adjacent to the excavation and the area within the excavation for sources of vibration that may affect the stability of the excavation face.

(2) *Manual tests.* Manual analysis of soil samples is conducted to determine quantitative as well as qualitative properties of soil and to provide more information in order to classify soil properly.

(i) *Plasticity.* Mold a moist or wet sample of soil into a ball and attempt to roll it into threads as thin as 1/8-inch in diameter. Cohesive material can be successfully rolled into threads without crumbling. For example, if at least a two inch (50 mm) length of 1/8-inch thread can be held on one end without tearing, the soil is cohesive.

(ii) *Dry strength.* If the soil is dry and crumbles on its own or with moderate pressure into individual grains or fine powder, it is granular (any combination of gravel, sand, or silt). If the soil is dry and falls into clumps which break up into smaller clumps, but the smaller clumps can only be broken up with difficulty, it may be clay in any combination with gravel, sand or silt. If the dry soil breaks into clumps which do not break up into small clumps and which can only be broken with difficulty, and there is no visual indication the soil is fissured, the soil may be considered unfissured.

(iii) *Thumb penetration.* The thumb penetration test can be used to estimate the unconfined compressive strength of cohesive soils. (This test is based on the thumb penetration test described in American Society for Testing and Materials (ASTM) Standard

designation D2488—"Standard Recommended Practice for Description of Soils (Visual—Manual Procedure).") Type A soils with an unconfined compressive strength of 1.5 tsf can be readily indented by the thumb; however, they can be penetrated by the thumb only with very great effort. Type C soils with an unconfined compressive strength of 0.5 tsf can be easily penetrated several inches by the thumb, and can be molded by light finger pressure. This test should be conducted on an undisturbed soil sample, such as a large clump of spoil, as soon as practicable after excavation to keep to a minimum the effects of exposure to drying influences. If the excavation is later exposed to wetting influences (rain, flooding), the classification of the soil must be changed accordingly.

(iv) *Other strength tests.* Estimates of unconfined compressive strength of soils can also be obtained by use of a pocket penetrometer or by using a hand-operated shearvane.

(v) *Drying test.* The basic purpose of the drying test is to differentiate between cohesive material with fissures, unfissured cohesive material, and granular material. The procedure for the drying test involves drying a sample of soil that is approximately one inch thick (2.54 cm) and six inches (15.24 cm) in diameter until it is thoroughly dry:

(A) If the sample develops cracks as it dries, significant fissures are indicated.

(B) Samples that dry without cracking are to be broken by hand. If considerable force is necessary to break a sample, the soil has significant cohesive material content. The soil can be classified as a unfissured cohesive material and the unconfined compressive strength should be determined.

(C) If a sample breaks easily by hand, it is either a fissured cohesive material or a granular material. To distinguish between the two, pulverize the dried clumps of the sample by hand or by stepping on them. If the clumps do not pulverize easily, the material is cohesive with fissures. If they pulverize easily into very small fragments, the material is granular.

APPENDIX B TO SUBPART P OF PART 1926—SLOPING AND BENCHING

(a) *Scope and application.* This appendix contains specifications for sloping and benching when used as methods of protecting employees working in excavations from cave-ins. The requirements of this appendix apply when the design of sloping and benching protective systems is to be performed in accordance with the requirements set forth in § 1926.652(b)(2).

(b) *Definitions.*

Actual slope means the slope to which an excavation face is excavated.

Distress means that the soil is in a condition where a cave-in is imminent or is likely

to occur. Distress is evidenced by such phenomena as the development of fissures in the face of or adjacent to an open excavation; the subsidence of the edge of an excavation; the slumping of material from the face or the bulging or heaving of material from the bottom of an excavation; the spalling of material from the face of an excavation; and raveling, i.e., small amounts of material such as pebbles or little clumps of material suddenly separating from the face of an excavation and trickling or rolling down into the excavation.

Maximum allowable slope means the steepest incline of an excavation face that is acceptable for the most favorable site conditions as protection against cave-ins, and is expressed as the ratio of horizontal distance to vertical rise (H:V).

Short term exposure means a period of time less than or equal to 24 hours that an excavation is open.

(c) *Requirements*—(1) *Soil classification*. Soil and rock deposits shall be classified in accordance with appendix A to subpart P of part 1926.

(2) *Maximum allowable slope*. The maximum allowable slope for a soil or rock deposit shall be determined from Table B-1 of this appendix.

(3) *Actual slope*. (i) The actual slope shall not be steeper than the maximum allowable slope.

(ii) The actual slope shall be less steep than the maximum allowable slope, when there are signs of distress. If that situation occurs, the slope shall be cut back to an actual slope which is at least 1/2 horizontal to one vertical (1/2H:1V) less steep than the maximum allowable slope.

(iii) When surcharge loads from stored material or equipment, operating equipment, or traffic are present, a competent person shall determine the degree to which the actual slope must be reduced below the maximum allowable slope, and shall assure that such reduction is achieved. Surcharge loads from adjacent structures shall be evaluated in accordance with §1926.651(i).

(4) *Configurations*. Configurations of sloping and benching systems shall be in accordance with Figure B-1.

TABLE B-1
MAXIMUM ALLOWABLE SLOPES

SOIL OR ROCK TYPE	MAXIMUM ALLOWABLE SLOPES (H:V) ^[1] FOR EXCAVATIONS LESS THAN 20 FEET DEEP [3]
STABLE ROCK TYPE A [2] TYPE B TYPE C	VERTICAL (90°) 3/4 : 1 (53°) 1:1 (45°) 1½ : 1 (34°)

NOTES:

1. Numbers shown in parentheses next to maximum allowable slopes are angles expressed in degrees from the horizontal. Angles have been rounded off.
2. A short-term maximum allowable slope of 1/2H:1V (63°) is allowed in excavations in Type A soil that are 12 feet (3.67 m) or less in depth. Short-term maximum allowable slopes for excavations greater than 12 feet (3.67 m) in depth shall be 3/4H:1V (53°).
3. Sloping or benching for excavations greater than 20 feet deep shall be designed by a registered professional engineer.

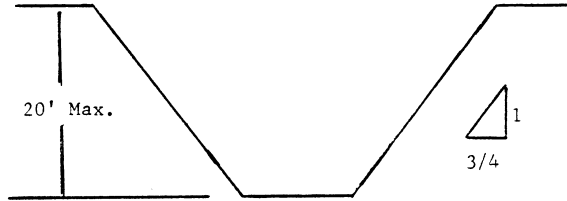
Figure B-1

Slope Configurations

(All slopes stated below are in the horizontal to vertical ratio)

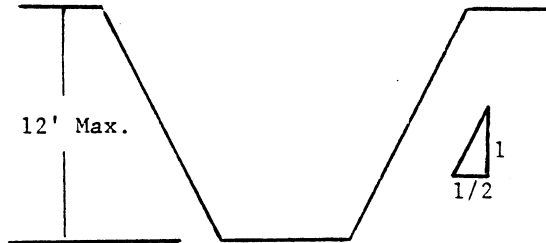
B-1.1 Excavations made in Type A soil.

1. All simple slope excavation 20 feet or less in depth shall have a maximum allowable slope of $3/4:1$.



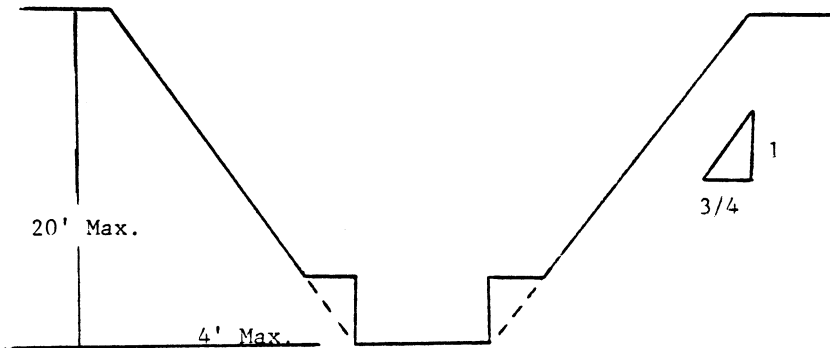
SIMPLE SLOPE—GENERAL

Exception: Simple slope excavations which are open 24 hours or less (short term) and which are 12 feet or less in depth shall have a maximum allowable slope of $1/2:1$.

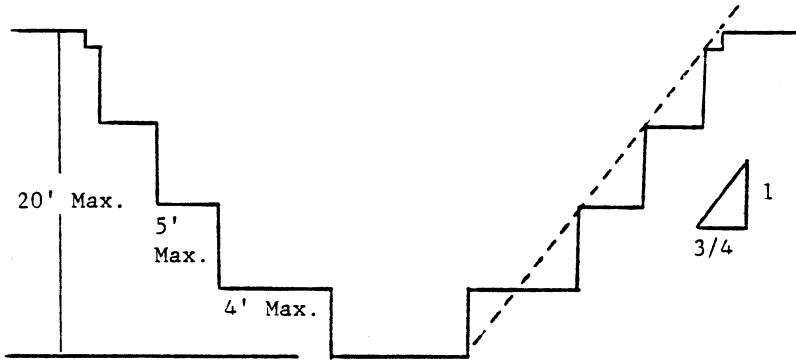


SIMPLE SLOPE—SHORT TERM

2. All benched excavations 20 feet or less in depth shall have a maximum allowable slope of $3/4$ to 1 and maximum bench dimensions as follows:

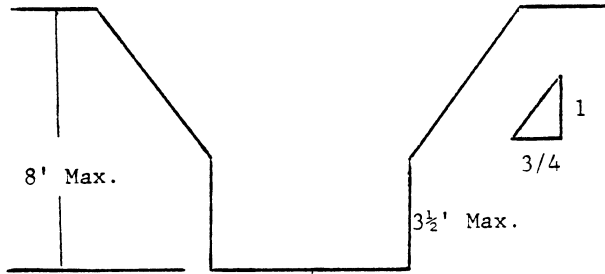


SIMPLE BENCH



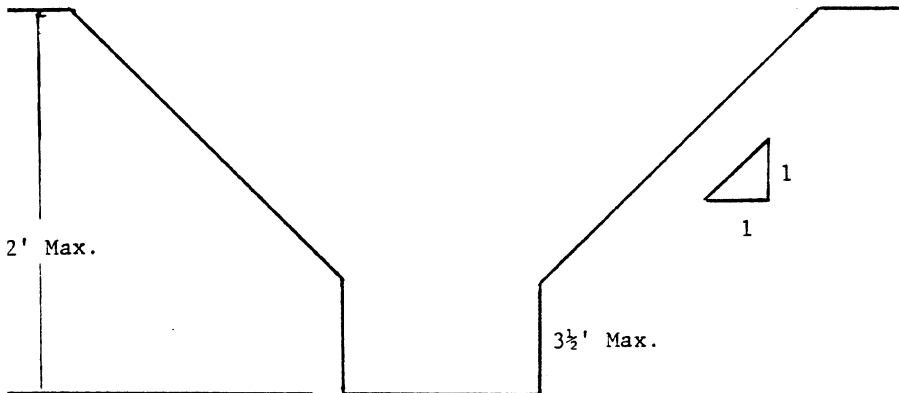
MULTIPLE BENCH

3. All excavations 8 feet or less in depth which have unsupported vertically sided lower portions shall have a maximum vertical side of 3½ feet.



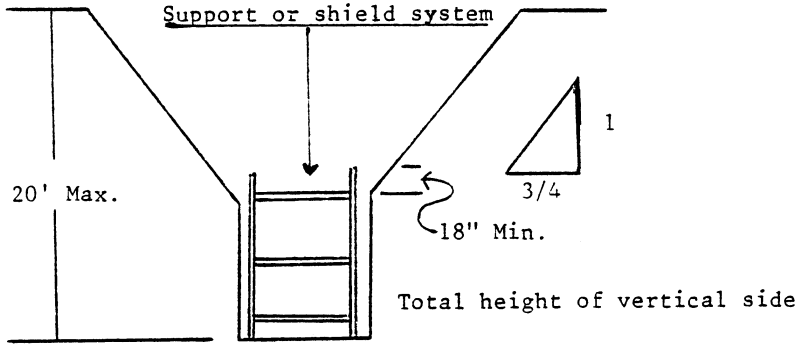
UNSUPPORTED VERTICALLY SIDED LOWER PORTION—MAXIMUM 8 FEET IN DEPTH

All excavations more than 8 feet but not more than 12 feet in depth which unsupported vertically sided lower portions shall have a maximum allowable slope of 1:1 and a maximum vertical side of 3½ feet.



UNSUPPORTED VERTICALLY SIDED LOWER PORTION—MAXIMUM 12 FEET IN DEPTH

All excavations 20 feet or less in depth which have vertically sided lower portions that are supported or shielded shall have a maximum allowable slope of $\frac{3}{4}$:1. The support or shield system must extend at least 18 inches above the top of the vertical side.

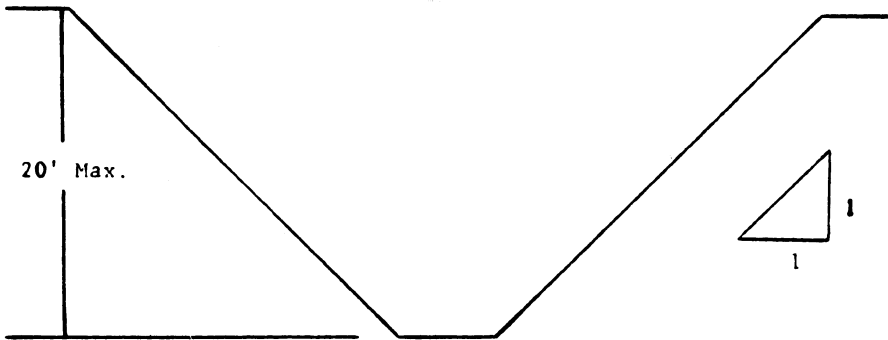


SUPPORTED OR SHIELDED VERTICALLY SIDED LOWER PORTION

4. All other simple slope, compound slope, and vertically sided lower portion excavations shall be in accordance with the other options permitted under §1926.652(b).

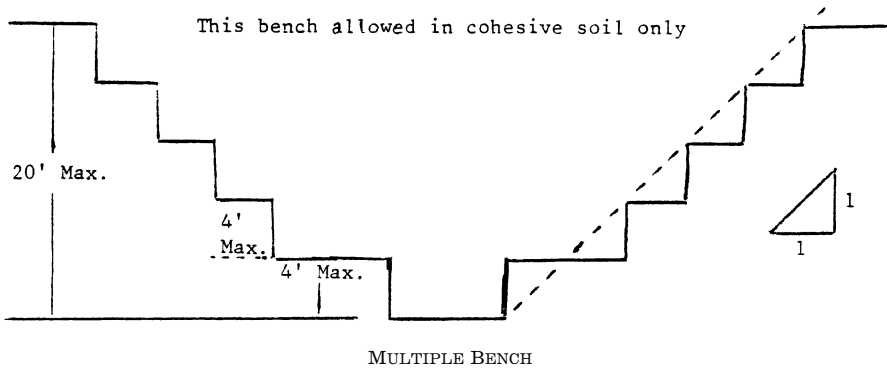
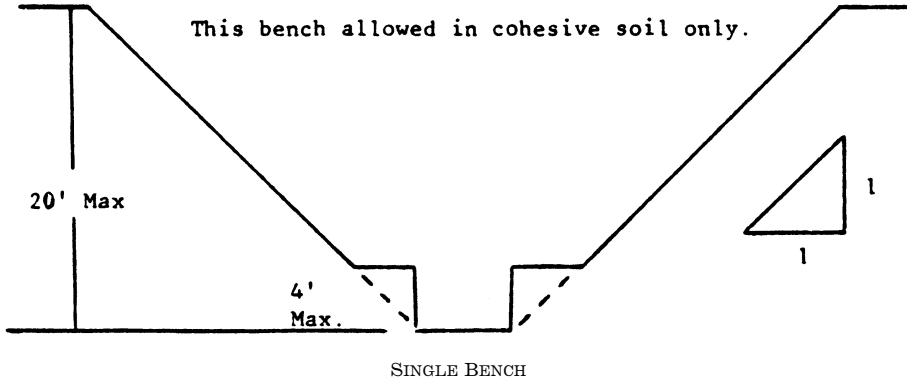
B-1.2 Excavations Made in Type B Soil

1. All simple slope excavations 20 feet or less in depth shall have a maximum allowable slope of 1:1.

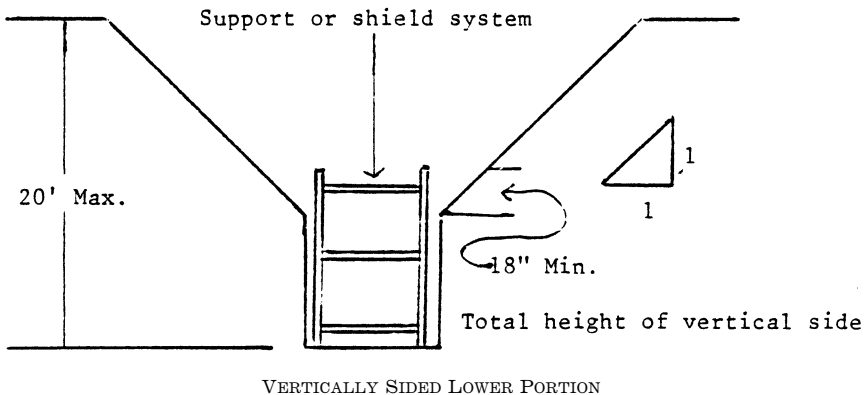


SIMPLE SLOPE

2. All benched excavations 20 feet or less in depth shall have a maximum allowable slope of 1:1 and maximum bench dimensions as follows:



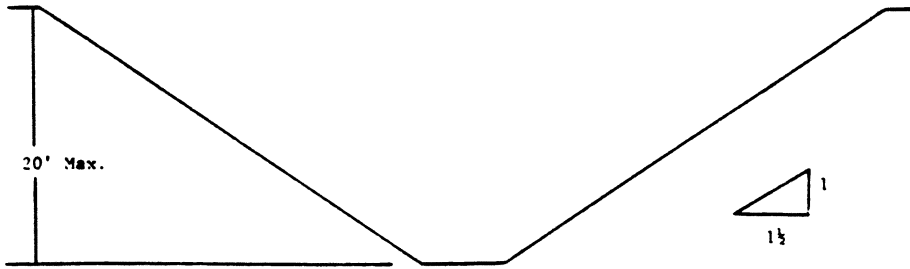
3. All excavations 20 feet or less in depth which have vertically sided lower portions shall be shielded or supported to a height at least 18 inches above the top of the vertical side. All such excavations shall have a maximum allowable slope of 1:1.



4. All other sloped excavations shall be in accordance with the other options permitted in §1926.652(b).

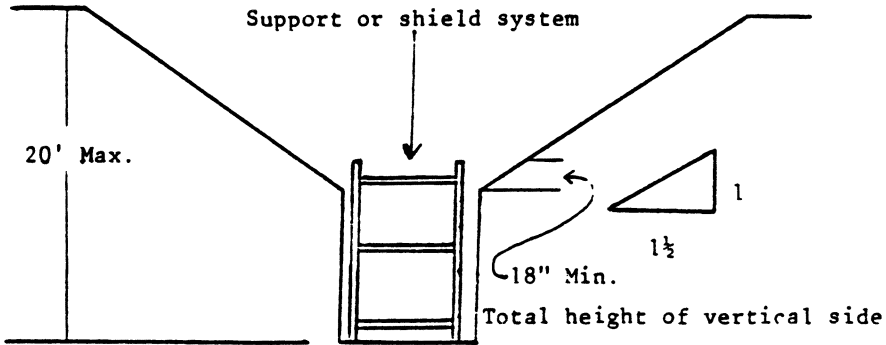
B-1.3 Excavations Made in Type C Soil

1. All simple slope excavations 20 feet or less in depth shall have a maximum allowable slope of 1½:1.



SIMPLE SLOPE

2. All excavations 20 feet or less in depth which have vertically sided lower portions shall be shielded or supported to a height at least 18 inches above the top of the vertical side. All such excavations shall have a maximum allowable slope of $1\frac{1}{2}:1$.

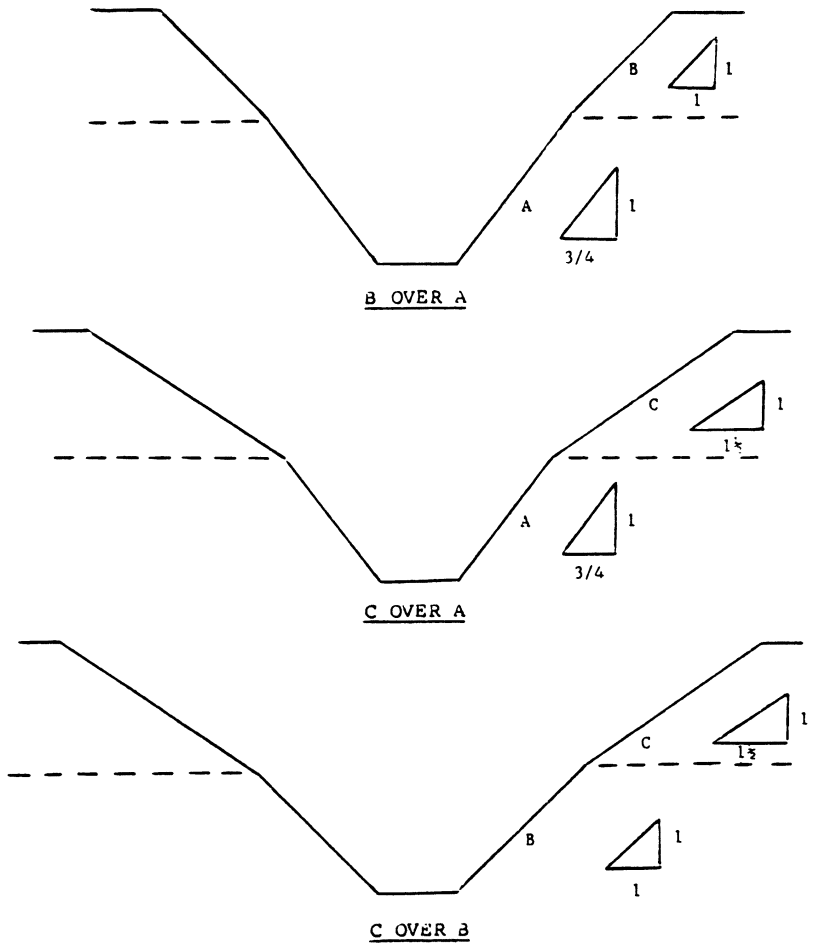


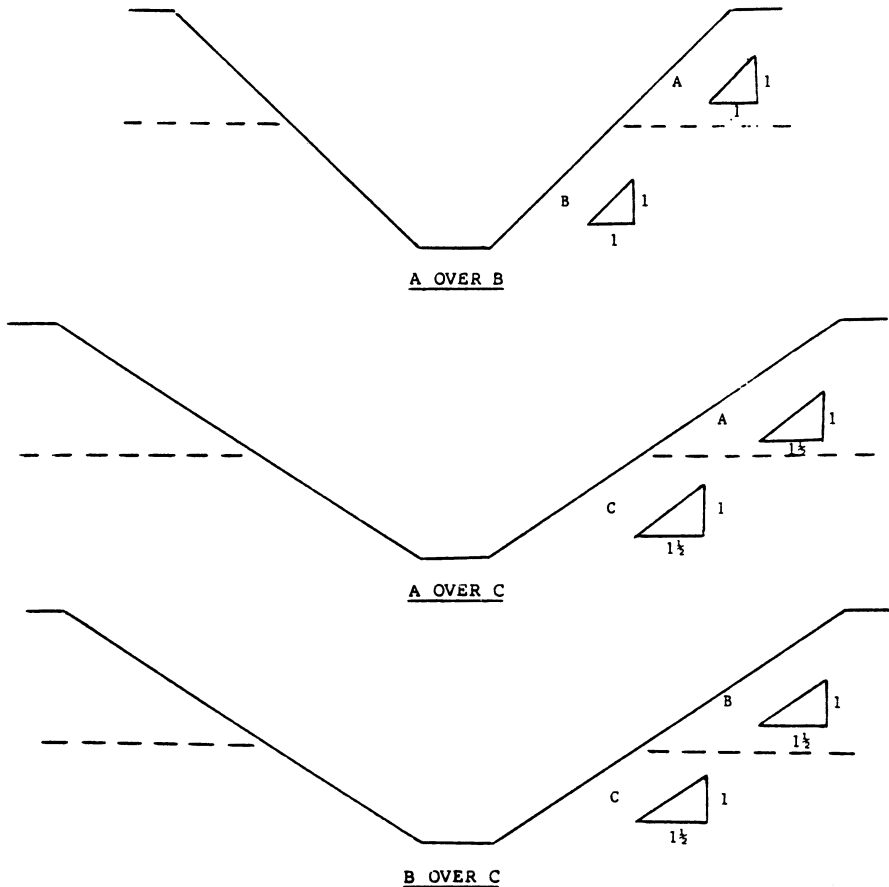
VERTICAL SIDED LOWER PORTION

3. All other sloped excavations shall be in accordance with the other options permitted in § 1926.652(b).

B-1.4 Excavations Made in Layered Soils

1. All excavations 20 feet or less in depth made in layered soils shall have a maximum allowable slope for each layer as set forth below.





2. All other sloped excavations shall be in accordance with the other options permitted in § 1926.652(b).

APPENDIX C TO SUBPART P OF PART 1926—TIMBER SHORING FOR TRENCHES

(a) *Scope.* This appendix contains information that can be used timber shoring is provided as a method of protection from cave-ins in trenches that do not exceed 20 feet (6.1 m) in depth. This appendix must be used when design of timber shoring protective systems is to be performed in accordance with § 1926.652(c)(1). Other timber shoring configurations; other systems of support such as hydraulic and pneumatic systems; and other protective systems such as sloping, benching, shielding, and freezing systems must be designed in accordance with the requirements set forth in § 1926.652(b) and § 1926.652(c).

(b) *Soil Classification.* In order to use the data presented in this appendix, the soil type or types in which the excavation is made must first be determined using the soil classification method set forth in appendix A of subpart P of this part.

(c) *Presentation of Information.* Information is presented in several forms as follows:

(1) Information is presented in tabular form in Tables C-1.1, C-1.2, and C-1.3, and Tables C-2.1, C-2.2 and C-2.3 following paragraph (g) of the appendix. Each table presents the minimum sizes of timber members to use in a shoring system, and each table contains data only for the particular soil type in which the excavation or portion of

the excavation is made. The data are arranged to allow the user the flexibility to select from among several acceptable configurations of members based on varying the horizontal spacing of the crossbraces. Stable rock is exempt from shoring requirements and therefore, no data are presented for this condition.

(2) Information concerning the basis of the tabular data and the limitations of the data is presented in paragraph (d) of this appendix, and on the tables themselves.

(3) Information explaining the use of the tabular data is presented in paragraph (e) of this appendix.

(4) Information illustrating the use of the tabular data is presented in paragraph (f) of this appendix.

(5) Miscellaneous notations regarding Tables C-1.1 through C-1.3 and Tables C-2.1 through C-2.3 are presented in paragraph (g) of this Appendix.

(d) *Basis and limitations of the data*—(1) *Dimensions of timber members.* (i) The sizes of the timber members listed in Tables C-1.1 through C-1.3 are taken from the National Bureau of Standards (NBS) report, "Recommended Technical Provisions for Construction Practice in Shoring and Sloping of Trenches and Excavations." In addition, where NBS did not recommend specific sizes of members, member sizes are based on an analysis of the sizes required for use by existing codes and on empirical practice.

(ii) The required dimensions of the members listed in Tables C-1.1 through C-1.3 refer to actual dimensions and not nominal dimensions of the timber. Employers wanting to use nominal size shoring are directed to Tables C-2.1 through C-2.3, or have this choice under §1926.652(c)(3), and are referred to The Corps of Engineers, The Bureau of Reclamation or data from other acceptable sources.

(2) *Limitation of application.* (i) It is not intended that the timber shoring specification apply to every situation that may be experienced in the field. These data were developed to apply to the situations that are most commonly experienced in current trenching practice. Shoring systems for use in situations that are not covered by the data in this appendix must be designed as specified in §1926.652(c).

(ii) When any of the following conditions are present, the members specified in the tables are not considered adequate. Either an alternate timber shoring system must be designed or another type of protective system designed in accordance with §1926.652.

(A) When loads imposed by structures or by stored material adjacent to the trench weigh in excess of the load imposed by a two-foot soil surcharge. The term "adjacent" as used here means the area within a horizontal distance from the edge of the trench equal to the depth of the trench.

(B) When vertical loads imposed on cross braces exceed a 240-pound gravity load distributed on a one-foot section of the center of the crossbrace.

(C) When surcharge loads are present from equipment weighing in excess of 20,000 pounds.

(D) When only the lower portion of a trench is shored and the remaining portion of the trench is sloped or benched unless: The sloped portion is sloped at an angle less steep than three horizontal to one vertical; or the members are selected from the tables for use at a depth which is determined from the top of the overall trench, and not from the toe of the sloped portion.

(e) *Use of Tables.* The members of the shoring system that are to be selected using this information are the cross braces, the uprights, and the wales, where wales are required. Minimum sizes of members are specified for use in different types of soil. There are six tables of information, two for each soil type. The soil type must first be determined in accordance with the soil classification system described in appendix A to subpart P of part 1926. Using the appropriate table, the selection of the size and spacing of the members is then made. The selection is based on the depth and width of the trench where the members are to be installed and, in most instances, the selection is also based on the horizontal spacing of the crossbraces. Instances where a choice of horizontal spacing of crossbracing is available, the horizontal spacing of the crossbraces must be chosen by the user before the size of any member can be determined. When the soil type, the width and depth of the trench, and the horizontal spacing of the crossbraces are known, the size and vertical spacing of the crossbraces, the size and vertical spacing of the wales, and the size and horizontal spacing of the uprights can be read from the appropriate table.

(f) *Examples to Illustrate the Use of Tables C-1.1 through C-1.3.*

(1) *Example 1.*

A trench dug in Type A soil is 13 feet deep and five feet wide.

From *Table C-1.1*, for acceptable arrangements of timber can be used.

Arrangement #B1

Space 4x4 crossbraces at six feet horizontally and four feet vertically.

Wales are not required.

Space 3x8 uprights at six feet horizontally. This arrangement is commonly called "skip shoring."

Arrangement #B2

Space 4x6 crossbraces at eight feet horizontally and four feet vertically.

Space 8x8 wales at four feet vertically.

Space 2x6 uprights at four feet horizontally.

Arrangement #B3

Space 6x6 crossbraces at 10 feet horizontally and four feet vertically.

Space 8x10 wales at four feet vertically.

Space 2x6 uprights at five feet horizontally.

Arrangement #B4

Space 6x6 crossbraces at 12 feet horizontally and four feet vertically.

Space 10x10 wales at four feet vertically.

Spaces 3x8 uprights at six feet horizontally.

(2) *Example 2.*

A trench dug in Type B soil in 13 feet deep and five feet wide. From Table C-1.2 three acceptable arrangements of members are listed.

Arrangement #B1

Space 6x6 crossbraces at six feet horizontally and five feet vertically.

Space 8x8 wales at five feet vertically.

Space 2x6 uprights at two feet horizontally.

Arrangement #B2

Space 6x8 crossbraces at eight feet horizontally and five feet vertically.

Space 10x10 wales at five feet vertically.

Space 2x6 uprights at two feet horizontally.

Arrangement #B3

Space 8x8 crossbraces at 10 feet horizontally and five feet vertically.

Space 10x12 wales at five feet vertically.

Space 2x6 uprights at two feet vertically.

(3) *Example 3.*

A trench dug in Type C soil is 13 feet deep and five feet wide.

From Table C-1.3 two acceptable arrangements of members can be used.

Arrangement #B1

Space 8x8 crossbraces at six feet horizontally and five feet vertically.

Space 10x12 wales at five feet vertically.

Position 2x6 uprights as closely together as possible.

If water must be retained use special tongue and groove uprights to form tight sheeting.

Arrangement #B2

Space 8x10 crossbraces at eight feet horizontally and five feet vertically.

Space 12x12 wales at five feet vertically.

Position 2x6 uprights in a close sheeting configuration unless water pressure must be resisted. Tight sheeting must be used where water must be retained.

(4) *Example 4.*

A trench dug in Type C soil is 20 feet deep and 11 feet wide. The size and spacing of members for the section of trench that is over 15 feet in depth is determined using Table C-1.3. Only one arrangement of members is provided.

Space 8x10 crossbraces at six feet horizontally and five feet vertically.

Space 12x12 wales at five feet vertically.

Use 3x6 tight sheeting.

Use of Tables C-2.1 through C-2.3 would follow the same procedures.

(g) *Notes for all Tables.*

1. Member sizes at spacings other than indicated are to be determined as specified in §1926.652(c), "Design of Protective Systems."

2. When conditions are saturated or submerged use Tight Sheeting. Tight Sheeting refers to the use of specially-edged timber planks (e.g., tongue and groove) at least three inches thick, steel sheet piling, or similar construction that when driven or placed in position provide a tight wall to resist the lateral pressure of water and to prevent the loss of backfill material. Close Sheeting refers to the placement of planks side-by-side allowing as little space as possible between them.

3. All spacing indicated is measured center to center.

4. Wales to be installed with greater dimension horizontal.

5. If the vertical distance from the center of the lowest crossbrace to the bottom of the trench exceeds two and one-half feet, uprights shall be firmly embedded or a mudsill shall be used. Where uprights are embedded, the vertical distance from the center of the lowest crossbrace to the bottom of the trench shall not exceed 36 inches. When mudsills are used, the vertical distance shall not exceed 42 inches. Mudsills are wales that are installed at the toe of the trench side.

6. Trench jacks may be used in lieu of or in combination with timber crossbraces.

7. Placement of crossbraces. When the vertical spacing of crossbraces is four feet, place the top crossbrace no more than two feet below the top of the trench. When the vertical spacing of crossbraces is five feet, place the top crossbrace no more than 2.5 feet below the top of the trench.

TABLE C-1.1
 TIMBER TRENCH SHORING -- MINIMUM TIMBER REQUIREMENTS *
 SOIL TYPE A $P_a = 25 \text{ X H} + 72 \text{ psf}$ (2 ft Surcharge)

DEPTH OF TRENCH (FEET)	SIZE (ACTUAL) AND SPACING OF MEMBERS **											UPRIGHTS				
	HORIZ. SPACING (FEET)			GROSS BRACES			WALES					MAXIMUM ALLOWABLE HORIZONTAL SPACING (FEET)				
	UP TO	UP TO	UP TO	UP TO	UP TO	UP TO	VERT. SPACING (FEET)	SIZE (IN)	VERT. SPACING (FEET)	CLOSE	4	5	6	8		
5	UP TO 6	4X4	4X4	4X6	6X6	6X6	4	Not Req'd	---							
	UP TO 8	4X4	4X4	4X6	6X6	6X6	4	Not Req'd	---				2X6	2X8		
10	UP TO 10	4X6	4X6	4X6	6X6	6X6	4	8X8	4		2X6					
	UP TO 12	4X6	4X6	6X6	6X6	6X6	4	8X8	4				2X6			
10	UP TO 6	4X4	4X4	4X6	6X6	6X6	4	Not Req'd	---							
	UP TO 8	4X6	4X6	6X6	6X6	6X6	4	8X8	4		2X6					
15	UP TO 10	6X6	6X5	6X6	6X8	6X8	4	8X10	4							
	UP TO 12	6X6	6X6	6X6	6X8	6X8	4	10X10	4				3X8			
15	UP TO 6	6X6	6X6	6X6	6X8	6X8	4	6X8	4							
	UP TO 8	6X6	6X6	6X6	6X8	6X8	4	8X8	4							
20	UP TO 10	8X8	8X8	8X8	8X8	8X10	4	8X10	4							
	UP TO 12	8X8	8X8	8X8	8X8	8X10	4	10X10	4							
OVER 20	SEE NOTE 1															

* Mixed oak or equivalent with a bending strength not less than 850 psi.
 ** Manufactured members of equivalent strength may be substituted for wood.

TABLE C-1.2

TIMBER TRENCH SHORING -- MINIMUM TIMBER REQUIREMENTS *

SOIL TYPE B P_a = 45 X H + 72 psf (2 ft. Surcharge)

DEPTH OF TRENCH (FEET)	SIZE (ACTUAL) AND SPACING OF MEMBERS**																
	CROSS BRACES						WALES			UPRIGHTS							
	HORIZ. SPACING (FEET)	WIDTH OF TRENCH (FEET)			VERT. SPACING (FEET)		VERT. SPACING (FEET)	SIZE (IN)	VERT. SPACING (FEET)	CLOSE	2	3					
5	UP TO 6	4	6	9	12	15	6X6	6X6	5	6X8	5						
TO	8	6X6	6X6	6X6	6X8	6X8	6X8	6X8	5	8X10	5						2X6
10	UP TO 10	6X6	6X6	6X6	6X8	6X8	6X8	6X8	5	10X10	5						2X6
	See Note 1																
10	UP TO 6	6X6	6X6	6X6	6X8	6X8	6X8	6X8	5	8X8	5						2X6
TO	8	6X8	6X8	6X8	8X8	8X8	8X8	8X8	5	10X10	5						2X6
15	UP TO 10	8X8	8X8	8X8	8X8	8X10	8X8	8X10	5	10X12	5						2X6
	See Note 1																
15	UP TO 6	6X8	6X8	6X8	8X8	8X8	8X8	8X8	5	8X10	5						3X6
TO	8	8X8	8X8	8X8	8X8	8X10	8X8	8X10	5	10X12	5						3X6
20	UP TO 10	8X10	8X10	8X10	8X10	10X10	8X10	10X10	5	12X12	5						3X6
	See Note 1																
OVER 20	SEE NOTE 1																

* Mixed oak or equivalent with a bending strength not less than 850 psi.

** Manufactured members of equivalent strength may be substituted for wood.

TABLE C-1.3

TIMBER TRENCH SHORING -- MINIMUM TIMBER REQUIREMENTS *
 SOIL TYPE C P_a = 80 X H + 72 psf (2 ft. Surcharge)

DEPTH OF TRENCH (FEET)	SIZE (ACTUAL) AND SPACING OF MEMBERS**													
	CROSS BRACES				VERT. SPACING (FEET)				UPRIGHTS					
	HORIZ. SPACING (FEET)		WIDTH OF TRENCH (FEET)		UP TO		VERT. SPACING (FEET)		SIZE (IN)		VERT. SPACING (FEET)		MAXIMUM ALLOWABLE HORIZONTAL SPACING (FEET) (See Note 2)	
	UP	TO	UP	TO	UP	TO	UP	TO	UP	TO	UP	TO	UP	TO
5 TO 10	UP	6	6X8	6X8	6X8	8X8	8X8	5	8X10	5	2X6			
	UP	8	8X8	8X8	8X8	8X10	5	10X12	5	2X6				
	UP	10	8X10	8X10	8X10	10X10	5	12X12	5	2X6				
	See Note 1													
10 TO 15	UP	6	8X8	8X8	8X8	8X10	5	10X12	5	2X6				
	UP	8	8X10	8X10	8X10	10X10	5	12X12	5	2X6				
	See Note 1													
	See Note 1													
15 TO 20	UP	6	8X10	8X10	8X10	10X10	5	12X12	5	3X6				
	See Note 1													
	See Note 1													
OVER 20	SEE NOTE 1													

* Mixed Oak or equivalent with a bending strength not less than 850 psi.
 ** Manufactured members of equivalent strength may be substituted for wood.

TABLE C-2.1

TIMBER TRENCH SHORING -- MINIMUM TIMBER REQUIREMENTS *
 SOIL TYPE A P_a = 25 X H + 72 psf (2 ft. Surcharge)

DEPTH OF TRENCH (FEET)	SIZE (S4S) AND SPACING OF MEMBERS **																
	CROSS BRACES						WALES			UPRIGHTS							
	HORIZ. SPACING (FEET)		WIDTH OF TRENCH (FEET)				VERT. SPACING (FEET)	SIZE (IN)	VERT. SPACING (FEET)	MAXIMUM ALLOWABLE HORIZONTAL SPACING (FEET)							
			UP TO 4	UP TO 6	UP TO 9	UP TO 12				UP TO 15	CLOSE	4	5	6	8		
5	UP TO 6	4X4	4X4	4X4	4X4	4X6	4	4	Not Req'd	4	4	4	4X6				
	UP TO 8	4X4	4X4	4X4	4X4	4X6	4	4	Not Req'd	4	4	4					4X8
	UP TO 10	4X6	4X6	4X6	4X6	6X6	4	4	8X8	4	4	4	4X6				
10	UP TO 6	4X4	4X4	4X4	4X4	6X6	4	4	Not Req'd	4	4	4					4X6
	UP TO 8	4X6	4X6	4X6	4X6	6X6	4	4	6X8	4	4	4	4X6				
	UP TO 10	6X6	6X6	6X6	6X6	6X6	4	4	8X8	4	4	4			4X8		
15	UP TO 6	6X6	6X6	6X6	6X6	6X6	4	4	8X10	4	4	4	4X6				4X10
	UP TO 8	6X6	6X6	6X6	6X6	6X6	4	4	8X10	4	4	4					
	UP TO 10	6X6	6X6	6X6	6X6	6X6	4	4	8X12	4	4	4	3X6				
20	UP TO 6	6X6	6X6	6X6	6X6	6X6	4	4	8X10	4	4	4	3X6				
	UP TO 8	6X6	6X6	6X6	6X6	6X6	4	4	8X12	4	4	4	3X6	4X12			
	UP TO 10	6X6	6X6	6X6	6X6	6X6	4	4	8X12	4	4	4	3X6	4X12			
OVER 20	SEE NOTE 1																

* Douglas fir or equivalent with a bending strength not less than 1500 psi.
 ** Manufactured members of equivalent strength may be substituted for wood.

TABLE C-2.3
 TIMBER TRENCH SHORING -- MINIMUM TIMBER REQUIREMENTS *
 SOIL TYPE C P_a = 80 X H + 72 psf (2 ft. Surcharge)

DEPTH OF TRENCH (FEET)	GROSS BRACES										MALES			UPRIGHTS	
	HORIZ. SPACING (FEET)	WIDTH OF TRENCH (FEET)					VERT. SPACING (FEET)	VERT. SPACING (FEET)	SIZE (IN)	VERT. SPACING (FEET)	MAXIMUM ALLOWABLE HORIZONTAL SPACING (FEET)				
		UP TO 4	UP TO 6	UP TO 9	UP TO 12	UP TO 15					CLOSE				
5 TO 10	UP TO 6	6X6	6X6	6X6	6X6	8X8	5	8X8	5	3X6					
	UP TO 8	6X6	6X6	6X6	8X8	8X8	5	10X10	5	3X6					
	UP TO 10	6X6	6X6	8X8	8X8	8X8	5	10X12	5	3X6					
10 TO 15	See Note 1														
	UP TO 6	6X8	6X8	6X8	8X8	8X8	5	10X10	5	4X6					
	UP TO 8	8X8	8X8	8X8	8X8	8X8	5	12X12	5	4X6					
15 TO 20	See Note 1														
	See Note 1														
	UP TO 6	8X8	8X8	8X8	8X10	8X10	5	10X12	5	4X6					
OVER 20	See Note 1														

* Douglas fir or equivalent with a bending strength not less than 1500 psi.
 ** Manufactured members of equivalent strength may be substituted for wood.

APPENDIX D TO SUBPART P OF PART 1926—ALUMINUM HYDRAULIC SHORING FOR TRENCHES

(a) *Scope.* This appendix contains information that can be used when aluminum hydraulic shoring is provided as a method of protection against cave-ins in trenches that

do not exceed 20 feet (6.1m) in depth. This appendix must be used when design of the aluminum hydraulic protective system cannot be performed in accordance with §1926.652(c)(2).

(b) *Soil Classification.* In order to use data presented in this appendix, the soil type or types in which the excavation is made must

first be determined using the soil classification method set forth in appendix A of subpart P of part 1926.

(c) *Presentation of Information.* Information is presented in several forms as follows:

(1) Information is presented in tabular form in Tables D-1.1, D-1.2, D-1.3 and E-1.4. Each table presents the maximum vertical and horizontal spacings that may be used with various aluminum member sizes and various hydraulic cylinder sizes. Each table contains data only for the particular soil type in which the excavation or portion of the excavation is made. Tables D-1.1 and D-1.2 are for vertical shores in Types A and B soil. Tables D-1.3 and D1.4 are for horizontal waler systems in Types B and C soil.

(2) Information concerning the basis of the tabular data and the limitations of the data is presented in paragraph (d) of this appendix.

(3) Information explaining the use of the tabular data is presented in paragraph (e) of this appendix.

(4) Information illustrating the use of the tabular data is presented in paragraph (f) of this appendix.

(5) Miscellaneous notations (footnotes) regarding Table D-1.1 through D-1.4 are presented in paragraph (g) of this appendix.

(6) Figures, illustrating typical installations of hydraulic shoring, are included just prior to the Tables. The illustrations page is entitled "Aluminum Hydraulic Shoring; Typical Installations."

(d) *Basis and limitations of the data.* (1) Vertical shore rails and horizontal wales are those that meet the Section Modulus requirements in the D-1 Tables. Aluminum material is 6061-T6 or material of equivalent strength and properties.

(2) Hydraulic cylinders specifications. (i) 2-inch cylinders shall be a minimum 2-inch inside diameter with a minimum safe working capacity of no less than 18,000 pounds axial compressive load at maximum extension. Maximum extension is to include full range of cylinder extensions as recommended by product manufacturer.

(ii) 3-inch cylinders shall be a minimum 3-inch inside diameter with a safe working capacity of not less than 30,000 pounds axial compressive load at extensions as recommended by product manufacturer.

(3) Limitation of application.

(i) It is not intended that the aluminum hydraulic specification apply to every situation that may be experienced in the field. These data were developed to apply to the situations that are most commonly experienced in current trenching practice. Shoring systems for use in situations that are not covered by the data in this appendix must be otherwise designed as specified in §1926.652(c).

(ii) When any of the following conditions are present, the members specified in the Ta-

bles are not considered adequate. In this case, an alternative aluminum hydraulic shoring system or other type of protective system must be designed in accordance with §1926.652.

(A) When vertical loads imposed on cross braces exceed a 100 Pound gravity load distributed on a one foot section of the center of the hydraulic cylinder.

(B) When surcharge loads are present from equipment weighing in excess of 20,000 pounds.

(C) When only the lower portion or a trench is shored and the remaining portion of the trench is sloped or benched unless: The sloped portion is sloped at an angle less steep than three horizontal to one vertical; or the members are selected from the tables for use at a depth which is determined from the top of the overall trench, and not from the toe of the sloped portion.

(e) *Use of Tables D-1.1, D-1.2, D-1.3 and D-1.4.* The members of the shoring system that are to be selected using this information are the hydraulic cylinders, and either the vertical shores or the horizontal wales. When a waler system is used the vertical timber sheeting to be used is also selected from these tables. The Tables D-1.1 and D-1.2 for vertical shores are used in Type A and B soils that do not require sheeting. Type B soils that may require sheeting, and Type C soils that always require sheeting are found in the horizontal wale Tables D-1.3 and D-1.4. The soil type must first be determined in accordance with the soil classification system described in appendix A to subpart P of part 1926. Using the appropriate table, the selection of the size and spacing of the members is made. The selection is based on the depth and width of the trench where the members are to be installed. In these tables the vertical spacing is held constant at four feet on center. The tables show the maximum horizontal spacing of cylinders allowed for each size of wale in the waler system tables, and in the vertical shore tables, the hydraulic cylinder horizontal spacing is the same as the vertical shore spacing.

(f) *Example to Illustrate the Use of the Tables:*

(1) Example 1:

A trench dug in Type A soil is 6 feet deep and 3 feet wide. From Table D-1.1: Find vertical shores and 2 inch diameter cylinders spaced 8 feet on center (o.c.) horizontally and 4 feet on center (o.c.) vertically. (See Figures 1 & 3 for typical installations.)

(2) Example 2:

A trench is dug in Type B soil that does not require sheeting, 13 feet deep and 5 feet wide. From Table D-1.2: Find vertical shores and 2 inch diameter cylinders spaced 6.5 feet o.c. horizontally and 4 feet o.c. vertically. (See Figures 1 & 3 for typical installations.)

(3) A trench is dug in Type B soil that does not require sheeting, but does experience some minor raveling of the trench face. The

trench is 16 feet deep and 9 feet wide. From Table D-1.2: Find vertical shores and 2 inch diameter cylinder (with special oversleeves as designated by footnote #B2) spaced 5.5 feet o.c. horizontally and 4 feet o.c. vertically, plywood (per footnote (g)(7) to the D-1 Table) should be used behind the shores. (See Figures 2 & 3 for typical installations.)

(4) Example 4: A trench is dug in previously disturbed Type B soil, with characteristics of a Type C soil, and will require sheeting. The trench is 18 feet deep and 12 feet wide. 8 foot horizontal spacing between cylinders is desired for working space. From Table D-1.3: Find horizontal wale with a section modulus of 14.0 spaced at 4 feet o.c. vertically and 3 inch diameter cylinder spaced at 9 feet maximum o.c. horizontally. 3x12 timber sheeting is required at close spacing vertically. (See Figure 4 for typical installation.)

(5) Example 5: A trench is dug in Type C soil, 9 feet deep and 4 feet wide. Horizontal cylinder spacing in excess of 6 feet is desired for working space. From Table D-1.4: Find horizontal wale with a section modulus of 7.0 and 2 inch diameter cylinders spaced at 6.5 feet o.c. horizontally. Or, find horizontal wale with a 14.0 section modulus and 3 inch diameter cylinder spaced at 10 feet o.c. horizontally. Both wales are spaced 4 feet o.c. vertically. 3x12 timber sheeting is required at close spacing vertically. (See Figure 4 for typical installation.)

(g) *Footnotes, and general notes, for Tables D-1.1, D-1.2, D-1.3, and D-1.4.*

(1) For applications other than those listed in the tables, refer to §1926.652(c)(2) for use of manufacturer's tabulated data. For trench depths in excess of 20 feet, refer to §1926.652(c)(2) and §1926.652(c)(3).

(2) 2 inch diameter cylinders, at this width, shall have structural steel tube (3.5x3.5x0.1875) oversleeves, or structural oversleeves of manufacturer's specification, extending the full, collapsed length.

(3) Hydraulic cylinders capacities. (i) 2 inch cylinders shall be a minimum 2-inch inside diameter with a safe working capacity of not less than 18,000 pounds axial compressive load at maximum extension. Maximum extension is to include full range of cylinder extensions as recommended by product manufacturer.

(ii) 3-inch cylinders shall be a minimum 3-inch inside diameter with a safe work capacity of not less than 30,000 pounds axial compressive load at maximum extension. Maximum extension is to include full range of cylinder extensions as recommended by product manufacturer.

(4) All spacing indicated is measured center to center.

(5) Vertical shoring rails shall have a minimum section modulus of 0.40 inch.

(6) When vertical shores are used, there must be a minimum of three shores spaced equally, horizontally, in a group.

(7) Plywood shall be 1.125 in. thick softwood or 0.75 inch. thick, 14 ply, arctic white birch (Finland form). Please note that plywood is not intended as a structural member, but only for prevention of local raveling (sloughing of the trench face) between shores.

(8) See appendix C for timber specifications.

(9) Wales are calculated for simple span conditions.

(10) See appendix D, item (d), for basis and limitations of the data.

ALUMINUM HYDRAULIC SHORING TYPICAL INSTALLATIONS

FIGURE NO. 1

VERTICAL ALUMINUM
HYDRAULIC SHORING
(SPOT BRACING)

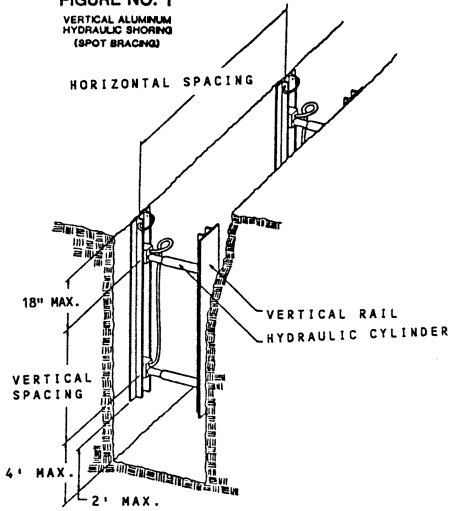


FIGURE NO. 2

VERTICAL ALUMINUM
HYDRAULIC SHORING
(WITH PLYWOOD)

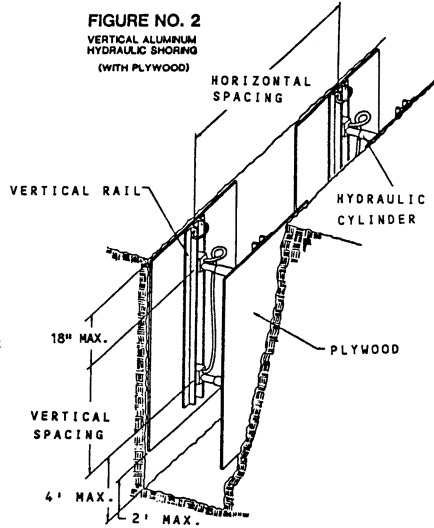


FIGURE NO. 3

VERTICAL ALUMINUM
HYDRAULIC SHORING
(STACKED)

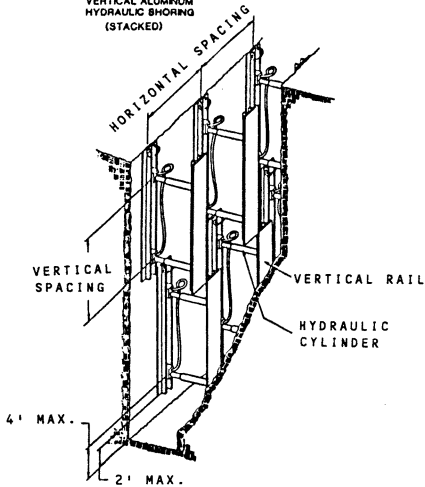
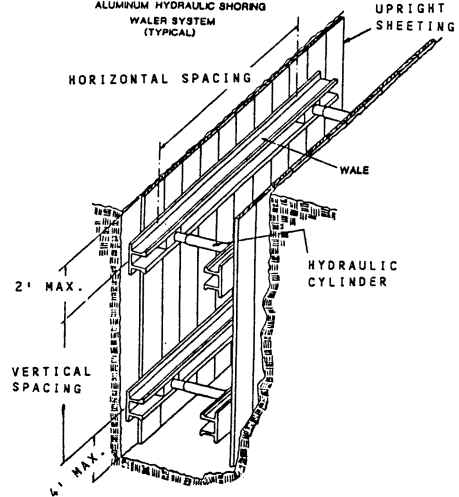


FIGURE NO. 4

ALUMINUM HYDRAULIC SHORING
WALER SYSTEM
(TYPICAL)



**TABLE D - 1.1
ALUMINUM HYDRAULIC SHORING
VERTICAL SHORES
FOR SOIL TYPE A**

HYDRAULIC CYLINDERS				
DEPTH OF TRENCH (FEET)	MAXIMUM HORIZONTAL SPACING (FEET)	MAXIMUM VERTICAL SPACING (FEET)	WIDTH OF TRENCH (FEET)	
			UP TO 8	OVER 8 UP TO 15
OVER 5 UP TO 10	8	4	2 INCH DIAMETER	3 INCH DIAMETER
OVER 10 UP TO 15	8		2 INCH DIAMETER NOTE (2)	
OVER 15 UP TO 20	7			
OVER 20		NOTE (1)		

Footnotes to tables, and general notes on hydraulic shoring, are found in Appendix D, Item (g)

Note (1): See Appendix D, Item (g) (1)

Note (2): See Appendix D, Item (g) (2)

**TABLE D - 1.2
ALUMINUM HYDRAULIC SHORING
VERTICAL SHORES
FOR SOIL TYPE B**

HYDRAULIC CYLINDERS				
DEPTH OF TRENCH (FEET)	MAXIMUM HORIZONTAL SPACING (FEET)	MAXIMUM VERTICAL SPACING (FEET)	WIDTH OF TRENCH (FEET)	
			UP TO 8	OVER 8 UP TO 15
OVER 5 UP TO 10	8	4	2 INCH DIAMETER	3 INCH DIAMETER
OVER 10 UP TO 15	6.5		2 INCH DIAMETER NOTE (2)	
OVER 15 UP TO 20	5.5			
OVER 20			NOTE (1)	

Footnotes to tables, and general notes on hydraulic shoring, are found in Appendix D, Item (g)

Note (1): See Appendix D, Item (g) (1)

Note (2): See Appendix D, Item (g) (2)

TABLE D - 1.3
ALUMINUM HYDRAULIC SHORING
WALER SYSTEMS
FOR SOIL TYPE B

DEPTH OF TRENCH (FEET)	WALES		HYDRAULIC CYLINDERS								TIMBER UPRIGHTS			
	VERTICAL SPACING (FEET)	SECTION MODULUS * (IN ³)	WIDTH OF TRENCH (FEET)								MAX. HORIZ. SPACING (ON CENTER)	SOLID SHEET		
			UP TO 8	OVER 8 UP TO 12	OVER 12 UP TO 15	UP TO 8	OVER 8 UP TO 12	OVER 12 UP TO 15	UP TO 8	OVER 8 UP TO 12			OVER 12 UP TO 15	
			HORIZ. SPACING	CYLINDER DIAMETER	HORIZ. SPACING	CYLINDER DIAMETER	HORIZ. SPACING	CYLINDER DIAMETER	HORIZ. SPACING	CYLINDER DIAMETER	HORIZ. SPACING	CYLINDER DIAMETER		
OVER 5 UP TO 10	4	3.5	8.0	2 IN	8.0	2 IN	8.0	2 IN	8.0	2 IN	8.0	2 IN	3x12	3 FT.
			9.0	2 IN	9.0	2 IN	9.0	2 IN	9.0	2 IN	9.0	2 IN		
			14.0	3 IN	12.0	3 IN	12.0	3 IN	12.0	3 IN	12.0	3 IN		
OVER 10 UP TO 15	4	3.5	6.0	2 IN	6.0	2 IN	6.0	2 IN	6.0	2 IN	6.0	2 IN	3x12	—
			8.0	3 IN	8.0	3 IN	8.0	3 IN	8.0	3 IN	8.0	3 IN		
			14.0	3 IN	10.0	3 IN	10.0	3 IN	10.0	3 IN	10.0	3 IN		
OVER 15 UP TO 20	4	3.5	5.5	2 IN	5.5	2 IN	5.5	2 IN	5.5	2 IN	5.5	2 IN	3x12	—
			7.0	3 IN	6.0	3 IN	6.0	3 IN	6.0	3 IN	6.0	3 IN		
			14.0	3 IN	9.0	3 IN	9.0	3 IN	9.0	3 IN	9.0	3 IN		
OVER 20	NOTE (1)													

Footnotes to tables, and general notes on hydraulic shoring, are found in Appendix D, Item (g)
 Notes (1): See Appendix D, item (g) (1)
 Notes (2): See Appendix D, Item (g) (2)
 * Consult product manufacturer and/or qualified engineer for Section Modulus of available wales.

TABLE D - 1.4
ALUMINUM HYDRAULIC SHORING
WALER SYSTEMS
FOR SOIL TYPE C

DEPTH OF TRENCH (FEET)	WALES		HYDRAULIC CYLINDERS						TIMBER UPRIGHTS				
	VERTICAL SPACING (FEET)	SECTION MODULUS * (IN ³)	WIDTH OF TRENCH (FEET)						MAX. HORIZ. SPACING (ON CENTER)				
			UP TO 8	OVER 8 UP TO 12		OVER 12 UP TO 15		SOLID SHEET	2 FT.	3 FT.			
OVER 5 UP TO 10	4	3.5	HORIZ. SPACING	2 IN	6.0	2 IN	6.0	HORIZ. SPACING	6.0	CYLINDER DIAMETER	3 IN	3x12	—
			CYLINDER DIAMETER	2 IN	NOTE(2)	2 IN	NOTE(2)	CYLINDER DIAMETER	3 IN				
			HORIZ. SPACING	6.5	6.5	NOTE(2)	6.5	3 IN					
OVER 10 UP TO 15	4	7.0	HORIZ. SPACING	3 IN	10.0	3 IN	10.0	HORIZ. SPACING	10.0	CYLINDER DIAMETER	3 IN	3x12	—
			CYLINDER DIAMETER	3 IN	NOTE(2)	3 IN	NOTE(2)	CYLINDER DIAMETER	3 IN				
			HORIZ. SPACING	4.0	4.0	NOTE(2)	4.0	3 IN					
OVER 15 UP TO 20	4	14.0	HORIZ. SPACING	3 IN	8.0	3 IN	8.0	HORIZ. SPACING	8.0	CYLINDER DIAMETER	3 IN	3x12	—
			CYLINDER DIAMETER	3 IN	NOTE(2)	3 IN	NOTE(2)	CYLINDER DIAMETER	3 IN				
			HORIZ. SPACING	5.5	5.5	3 IN	5.5	3 IN					
OVER 20	4	3.5	HORIZ. SPACING	2 IN	3.5	2 IN	3.5	HORIZ. SPACING	3.5	CYLINDER DIAMETER	3 IN	3x12	—
			CYLINDER DIAMETER	2 IN	NOTE(2)	2 IN	NOTE(2)	CYLINDER DIAMETER	3 IN				
			HORIZ. SPACING	5.0	5.0	3 IN	5.0	3 IN					
OVER 20		14.0	3 IN	6.0	3 IN	6.0	3 IN	6.0	3 IN	3 IN			

NOTE (1)

Footnotes to tables, and general notes on hydraulic shoring, are found in Appendix D, Item (g)
 Notes (1): See Appendix D, item (g) (1)
 Notes (2): See Appendix D, Item (g) (2)
 * Consult product manufacturer and/or qualified engineer for Section Modulus of available wales.

APPENDIX E TO SUBPART P OF PART 1926—ALTERNATIVES TO TIMBER SHORING

Figure 1. Aluminum Hydraulic Shoring

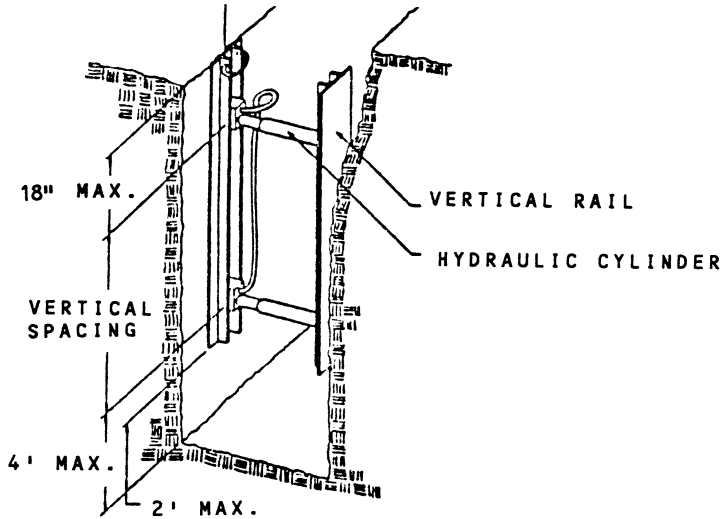


Figure 2. Pneumatic/hydraulic Shoring

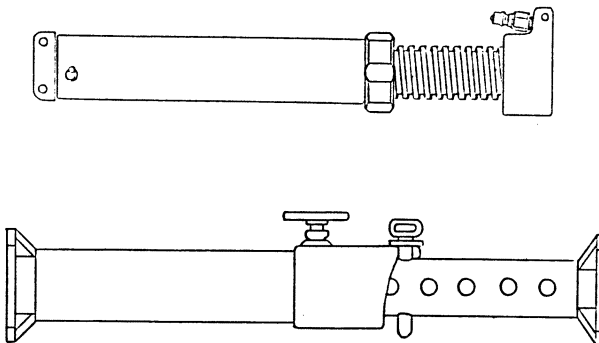


Figure 3. Trench Jacks (Screw Jacks)

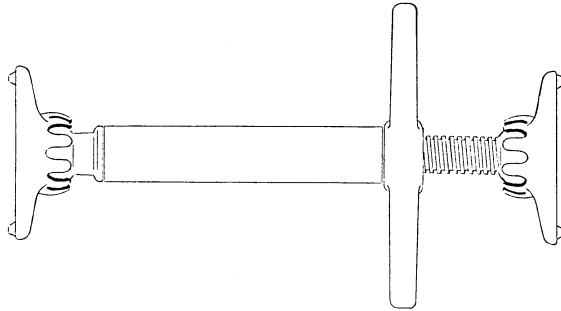
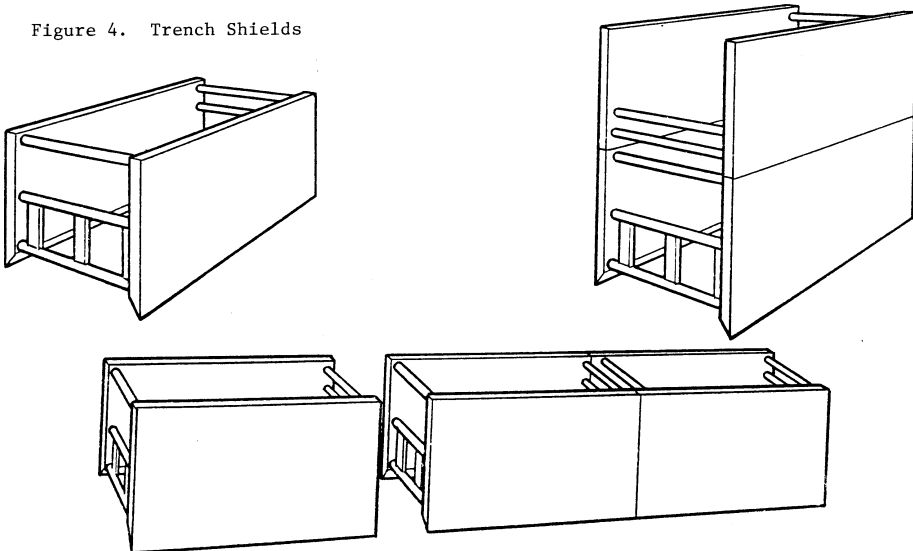


Figure 4. Trench Shields



APPENDIX F TO SUBPART P OF PART
1926—SELECTION OF PROTECTIVE
SYSTEMS

The following figures are a graphic summary of the requirements contained in sub-

part P for excavations 20 feet or less in depth. Protective systems for use in excavations more than 20 feet in depth must be designed by a registered professional engineer in accordance with §1926.652 (b) and (c).

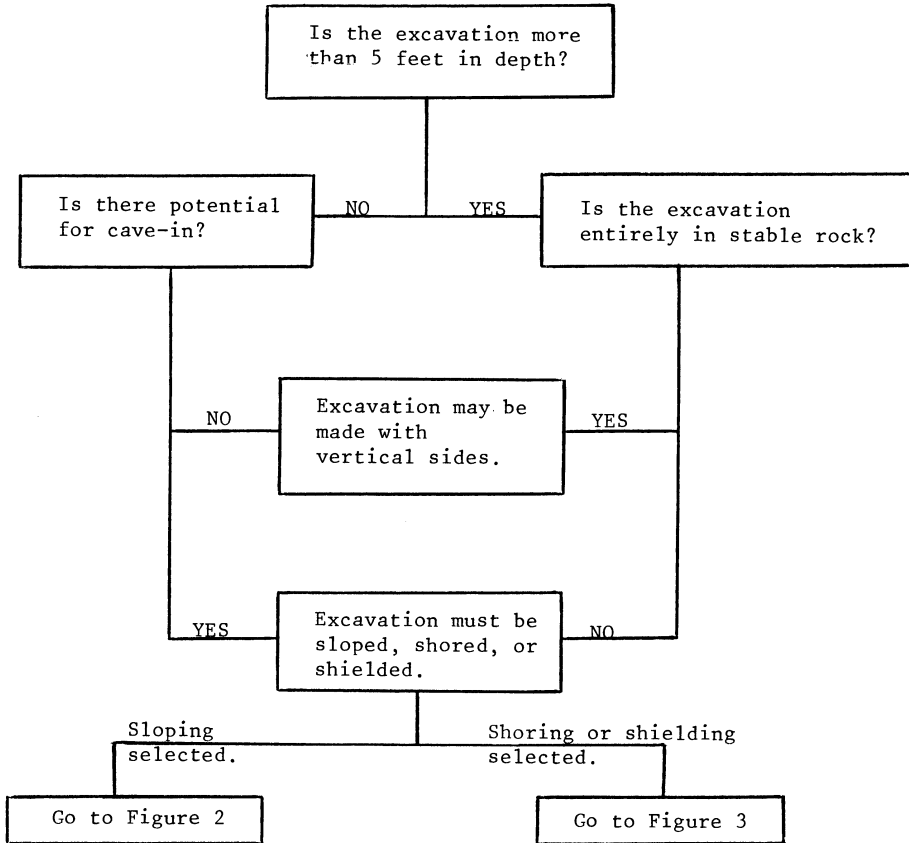


FIGURE 1 - PRELIMINARY DECISIONS

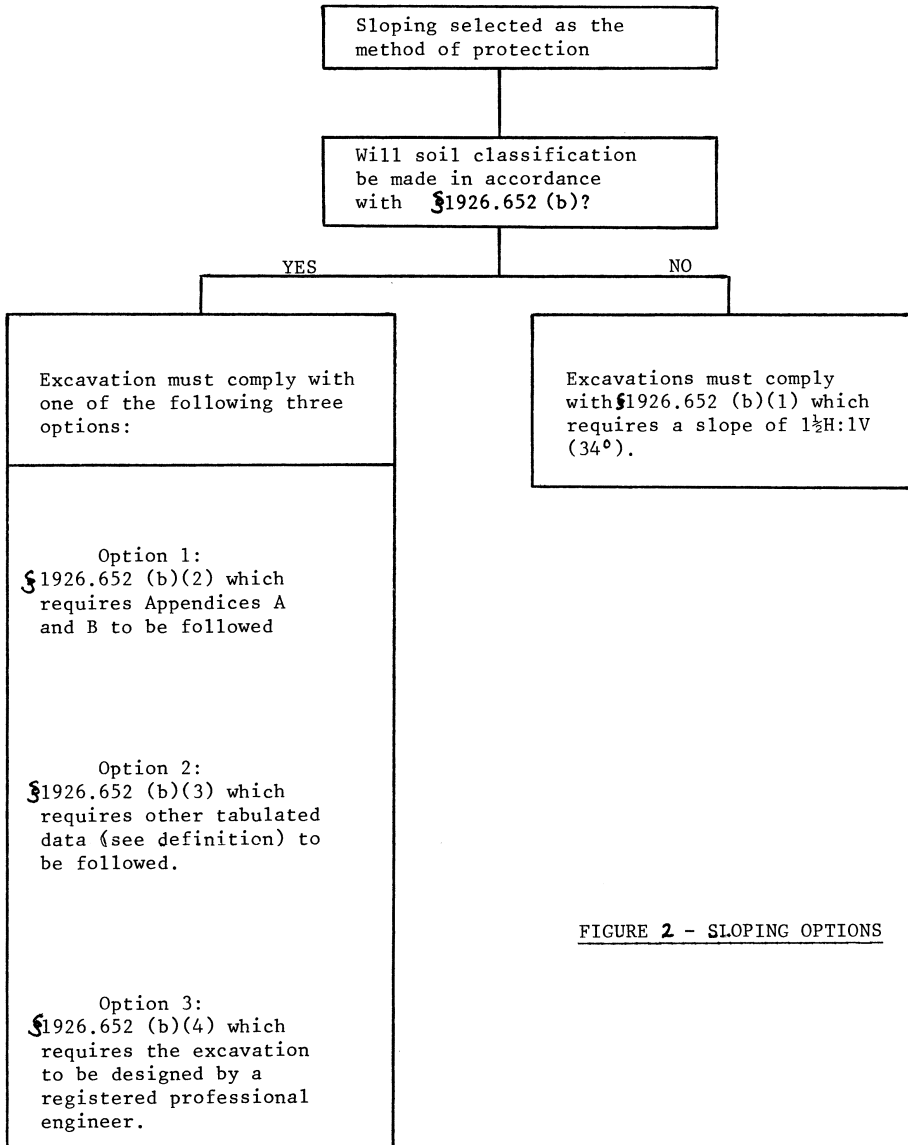


FIGURE 2 - SLOPING OPTIONS

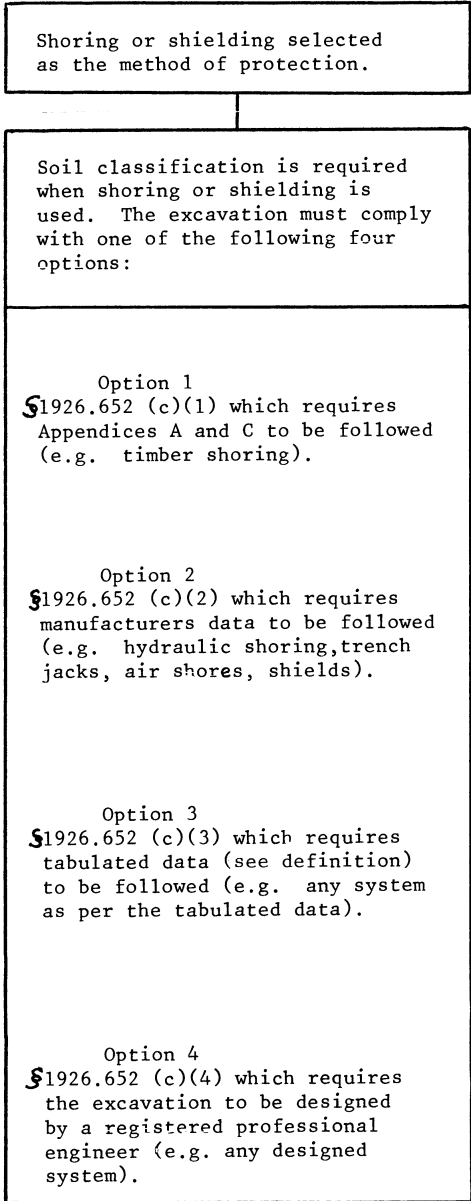


FIGURE 3 - SHORING AND SHIELDING OPTIONS