

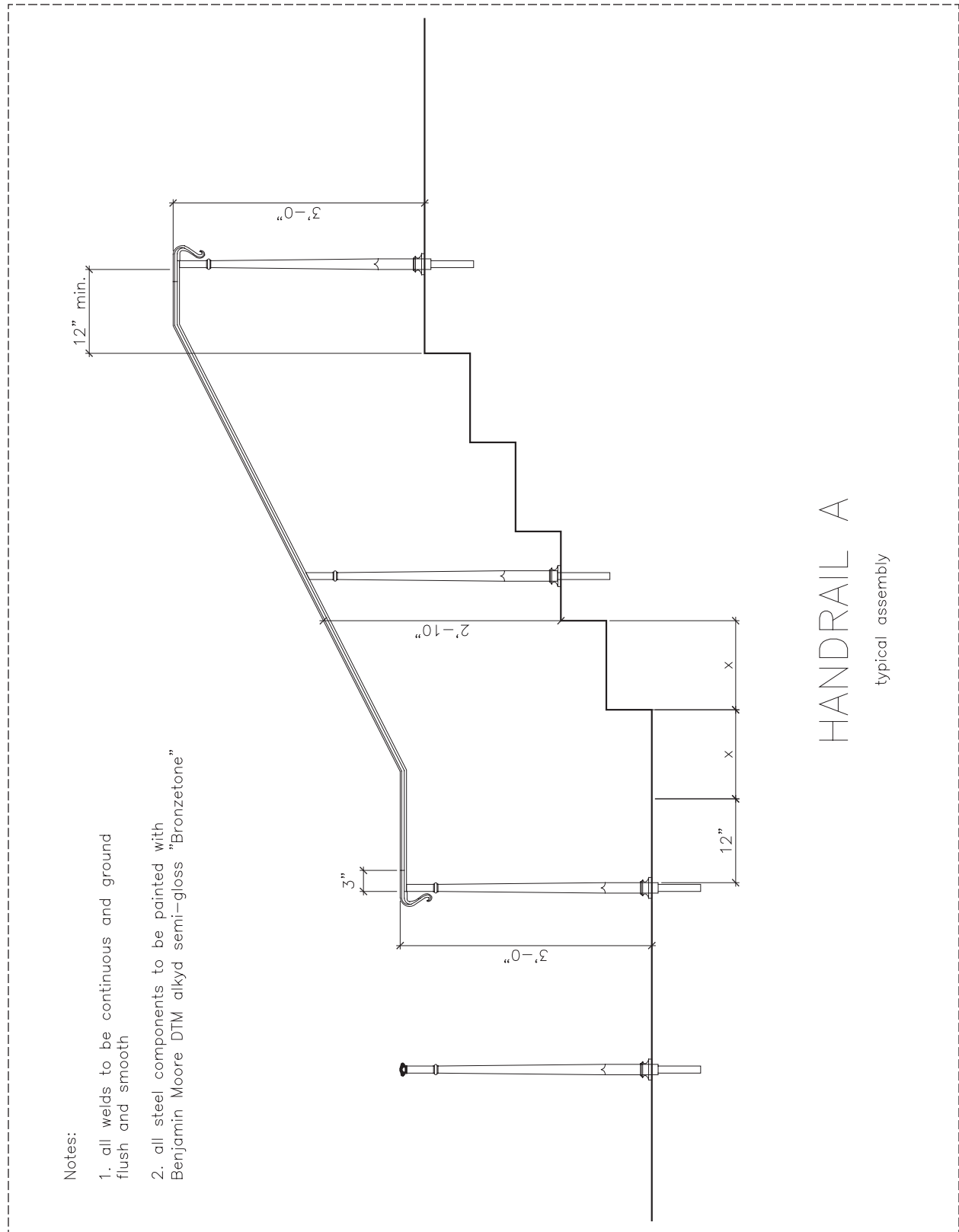
B

CAMPUS LANDSCAPE STANDARDS

- b1 - handrails & guardrails
- b13 - light footings
- b18 - bike rack footing & spacing
- b20 - trash can footings
- b22 - paving
- b30 - drain inlets
- b31 - plantings

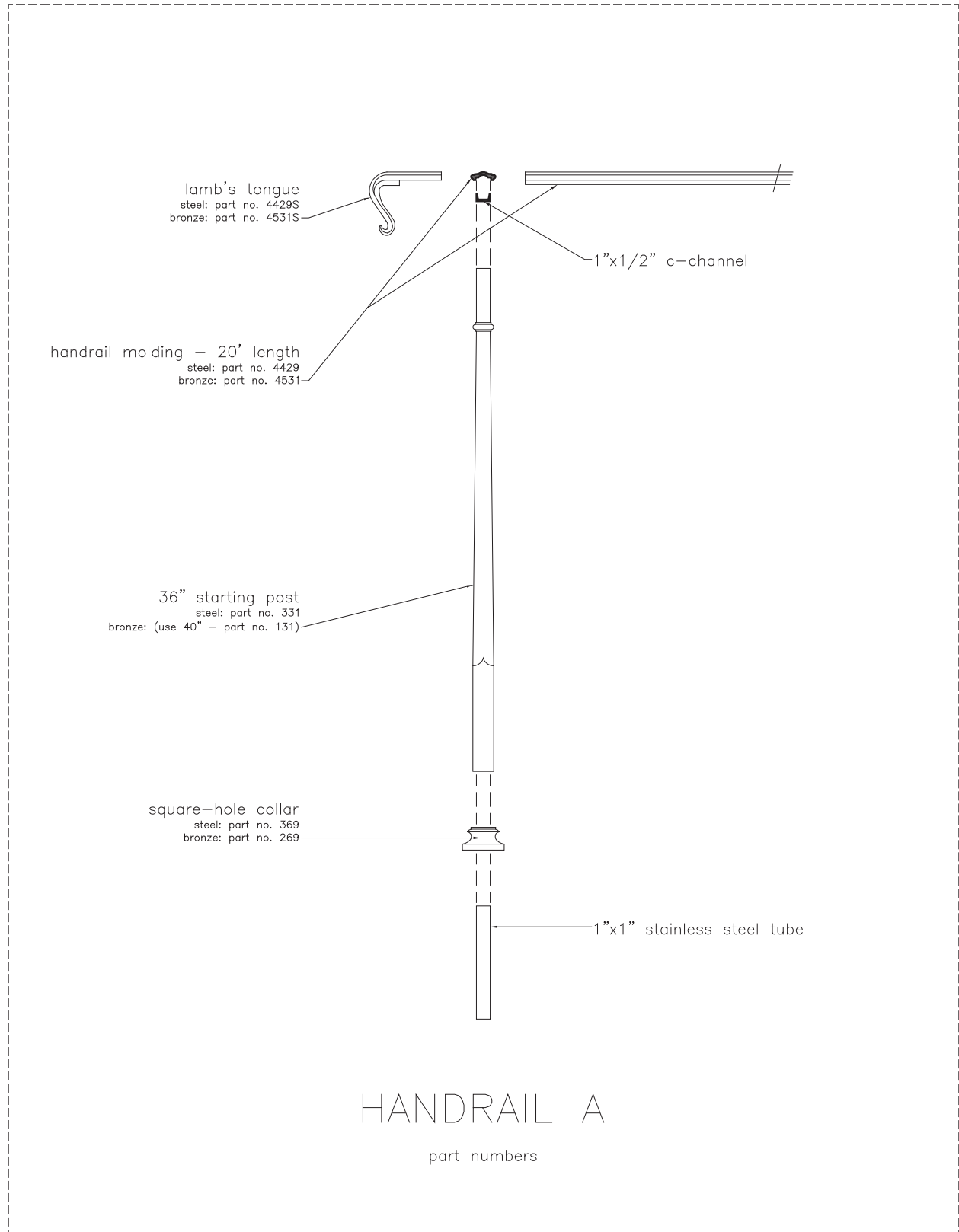
HANDRAIL A (decorative posts) - Classic

CAD file available for download at <http://planning.uark.edu>

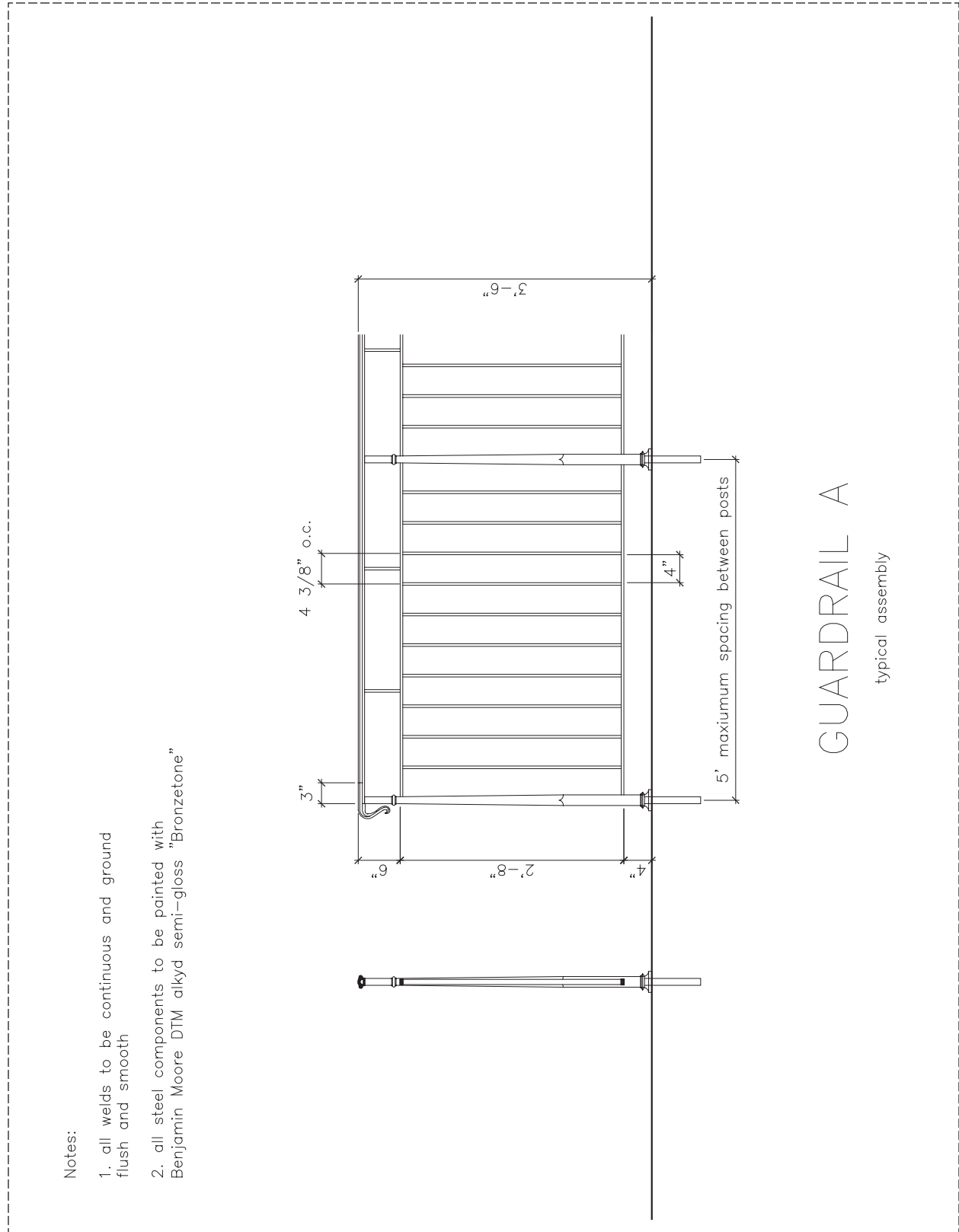


HANDRAIL A (decorative posts) - Classic

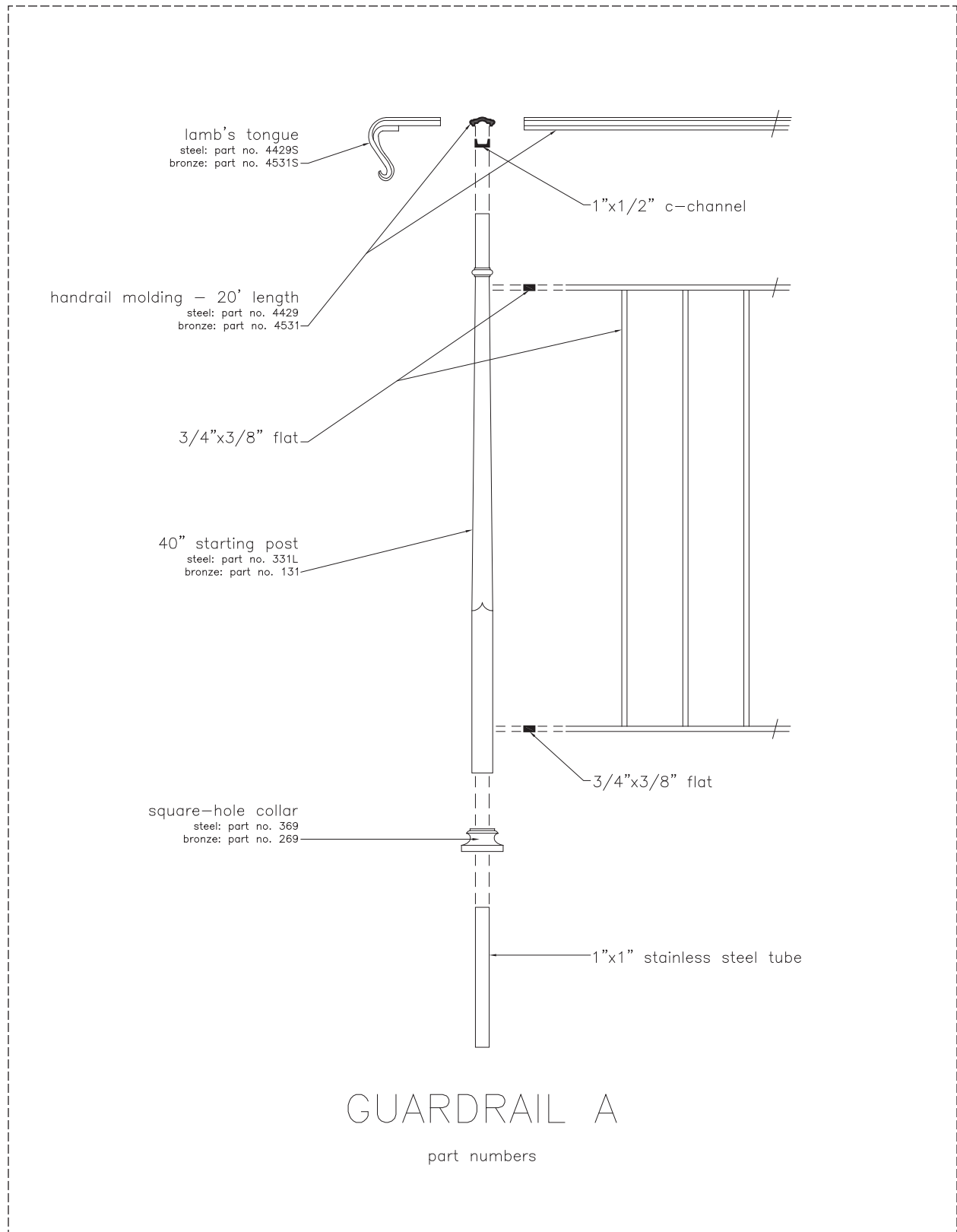
CAD file available for download at <http://planning.uark.edu>



GUARDRAIL A (decorative posts) - Classic CAD file available for download at <http://planning.uark.edu>

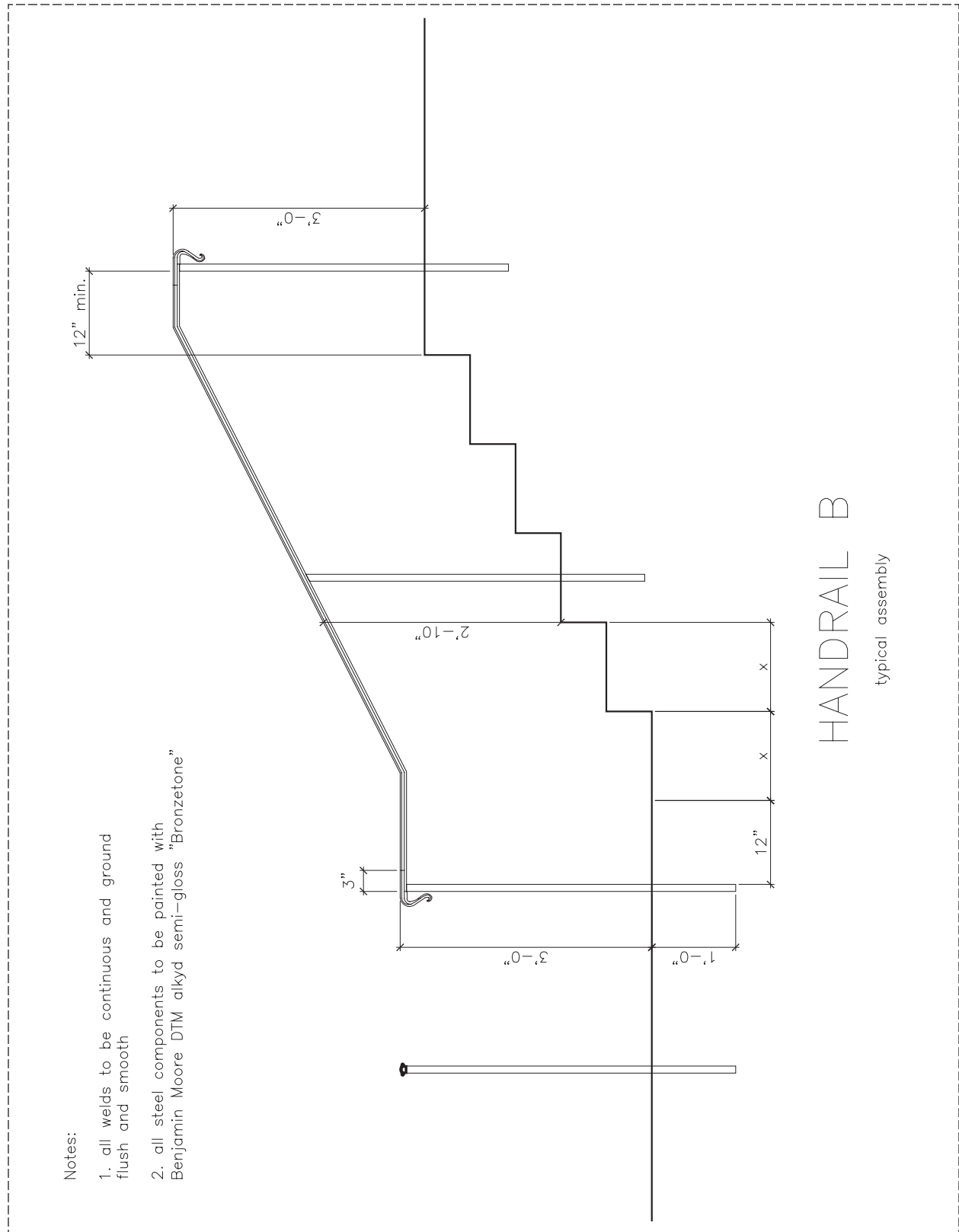


GUARDRAIL A (decorative posts) - Classic CAD file available for download at <http://planning.uark.edu>



HANDRAIL B (plain posts) - Classic

CAD file available for download at <http://planning.uark.edu>

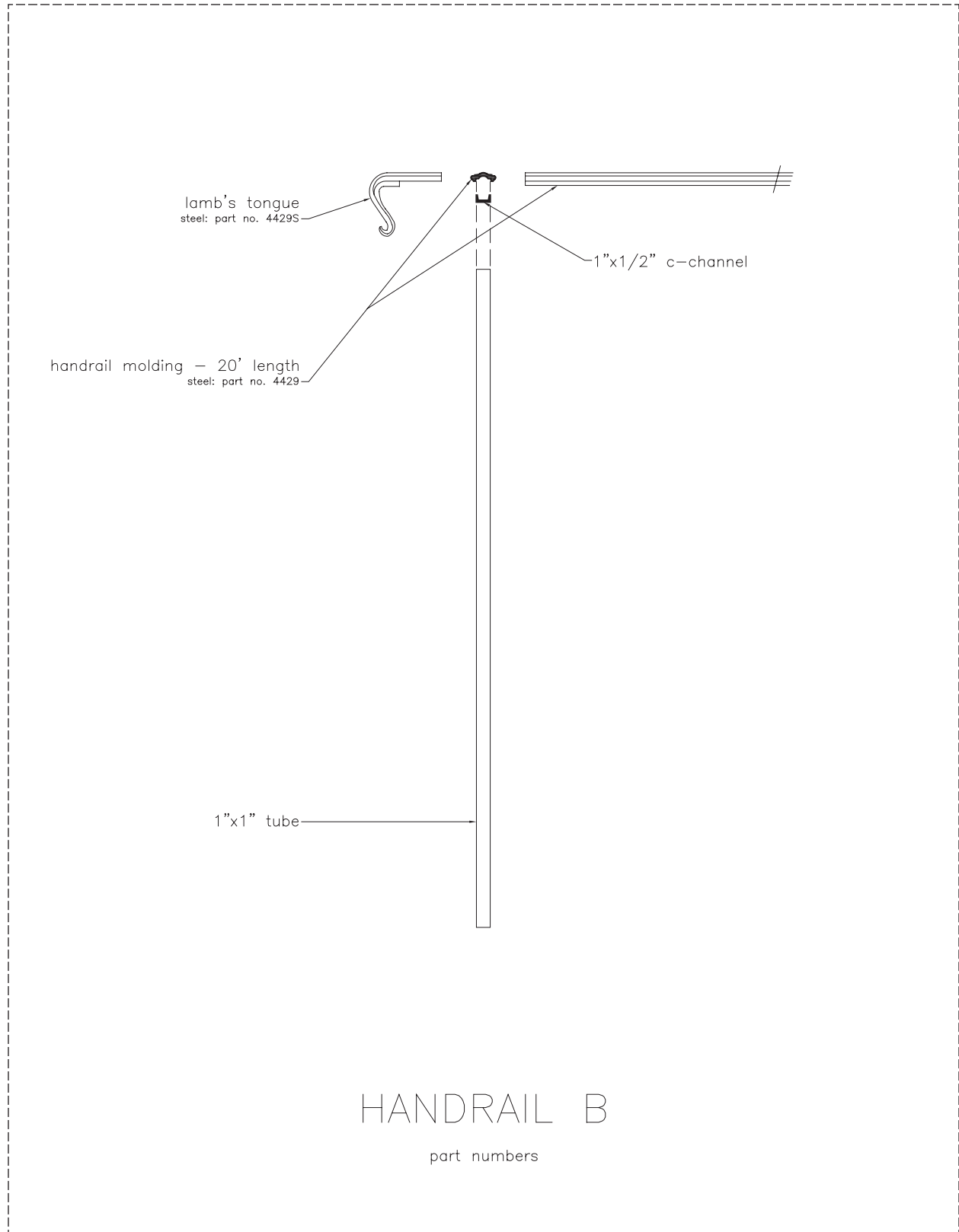


Notes:

1. all welds to be continuous and ground flush and smooth
2. all steel components to be painted with Benjamin Moore DTM alkyd semi-gloss "Bronzetone"

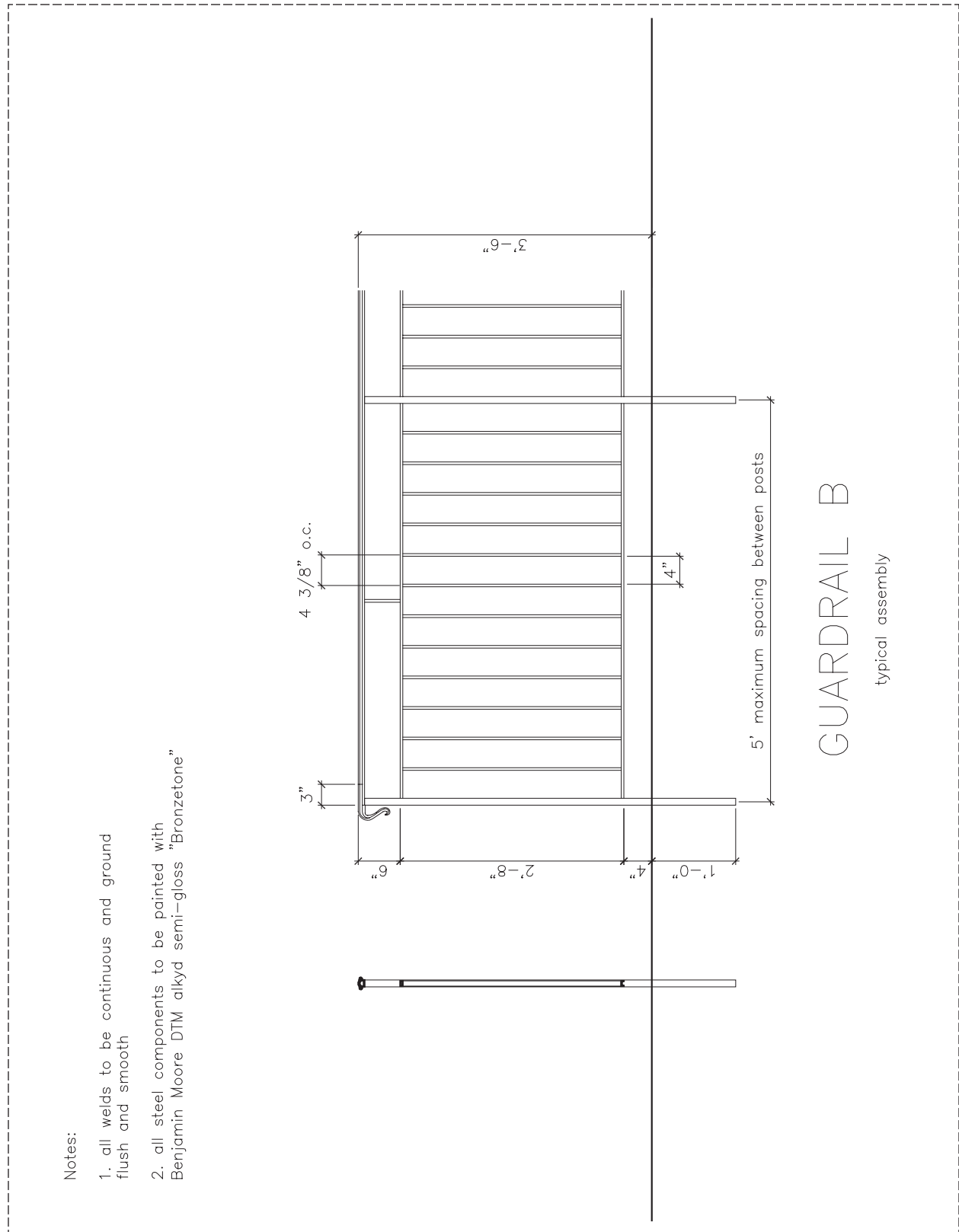
HANDRAIL B (plain posts) - Classic

CAD file available for download at <http://planning.uark.edu>



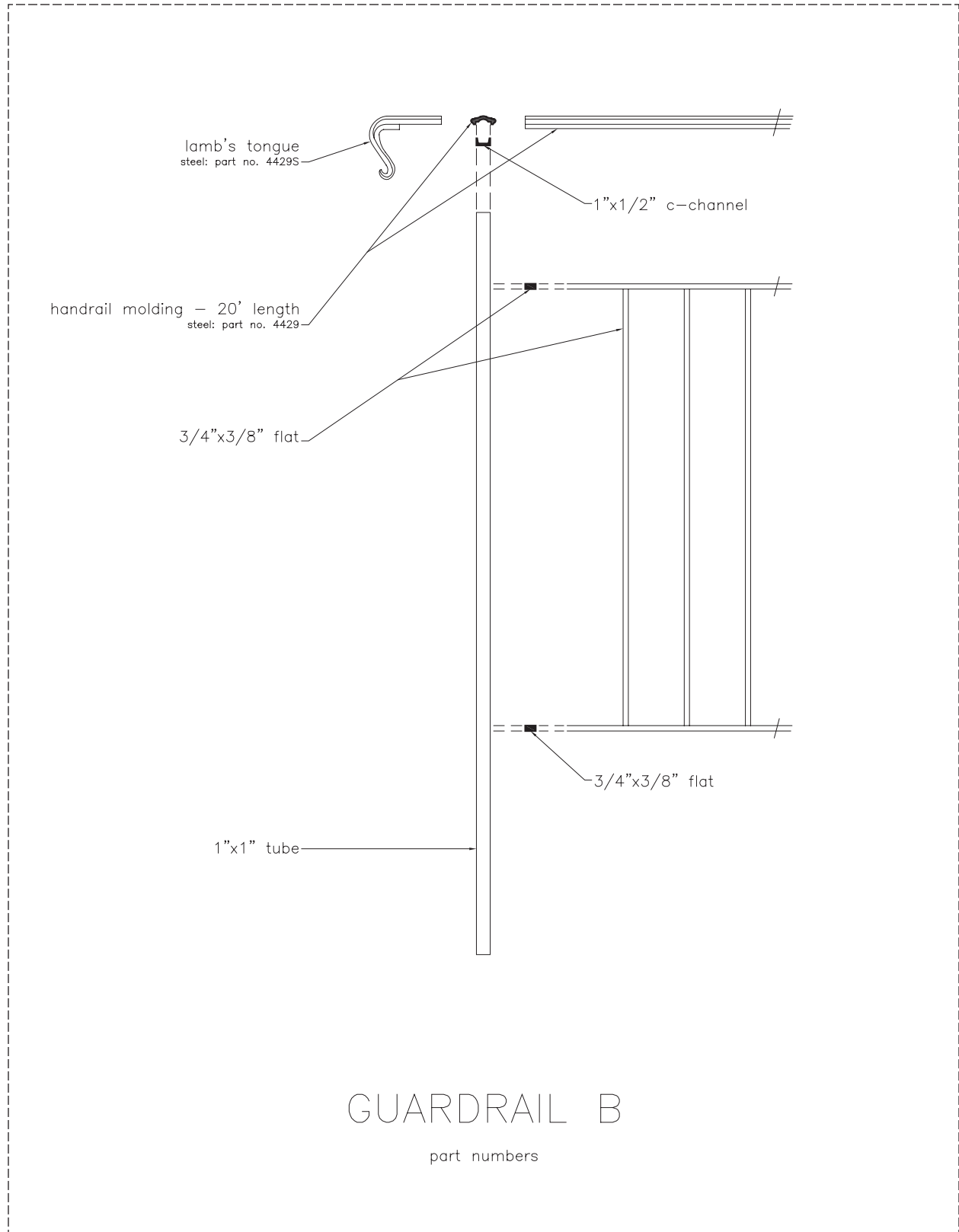
GUARDRAIL B (plain posts) - Classic

CAD file available for download at <http://planning.uark.edu>



GUARDRAIL B (plain posts) - Classic

CAD file available for download at <http://planning.uark.edu>

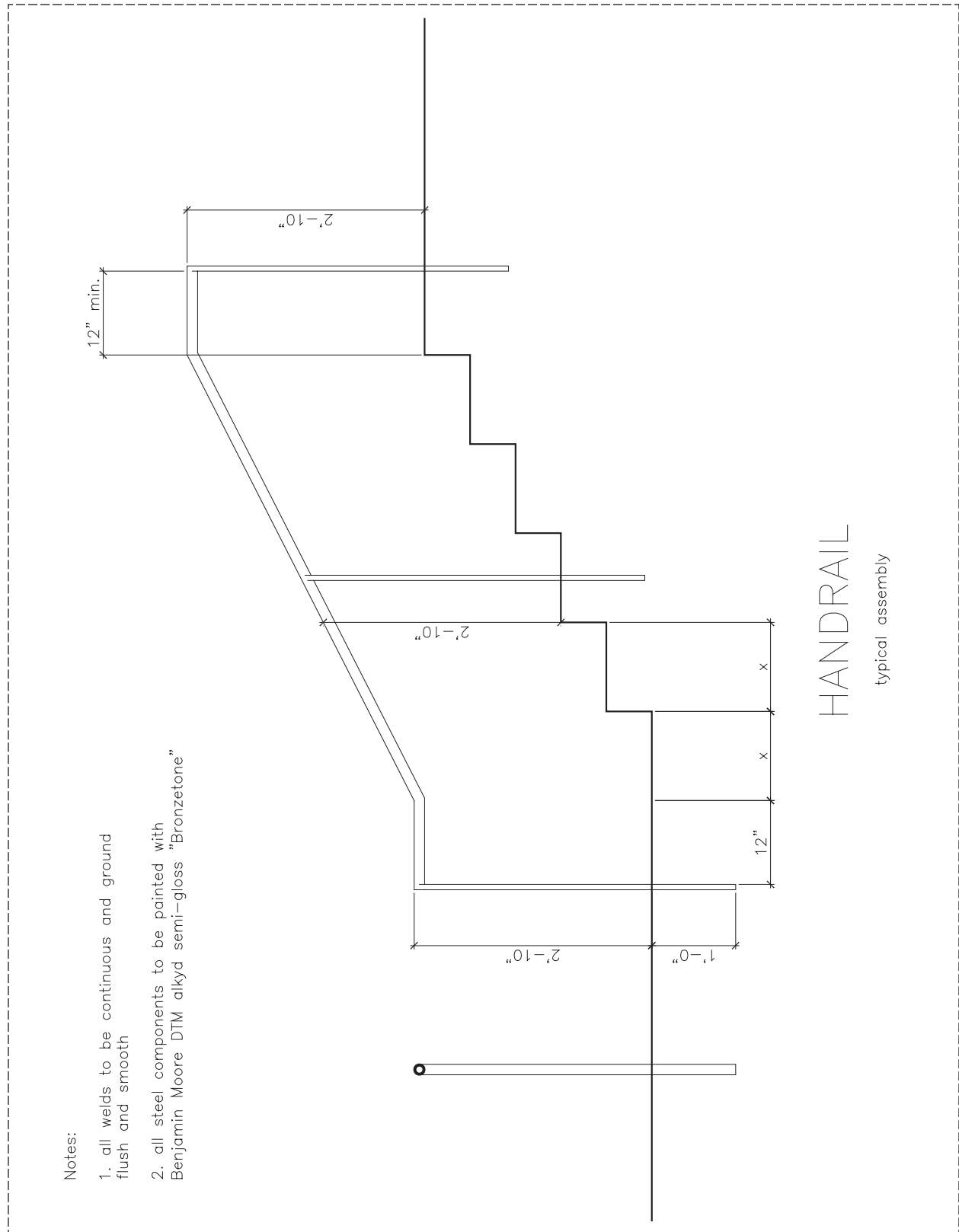


GUARDRAIL B

part numbers

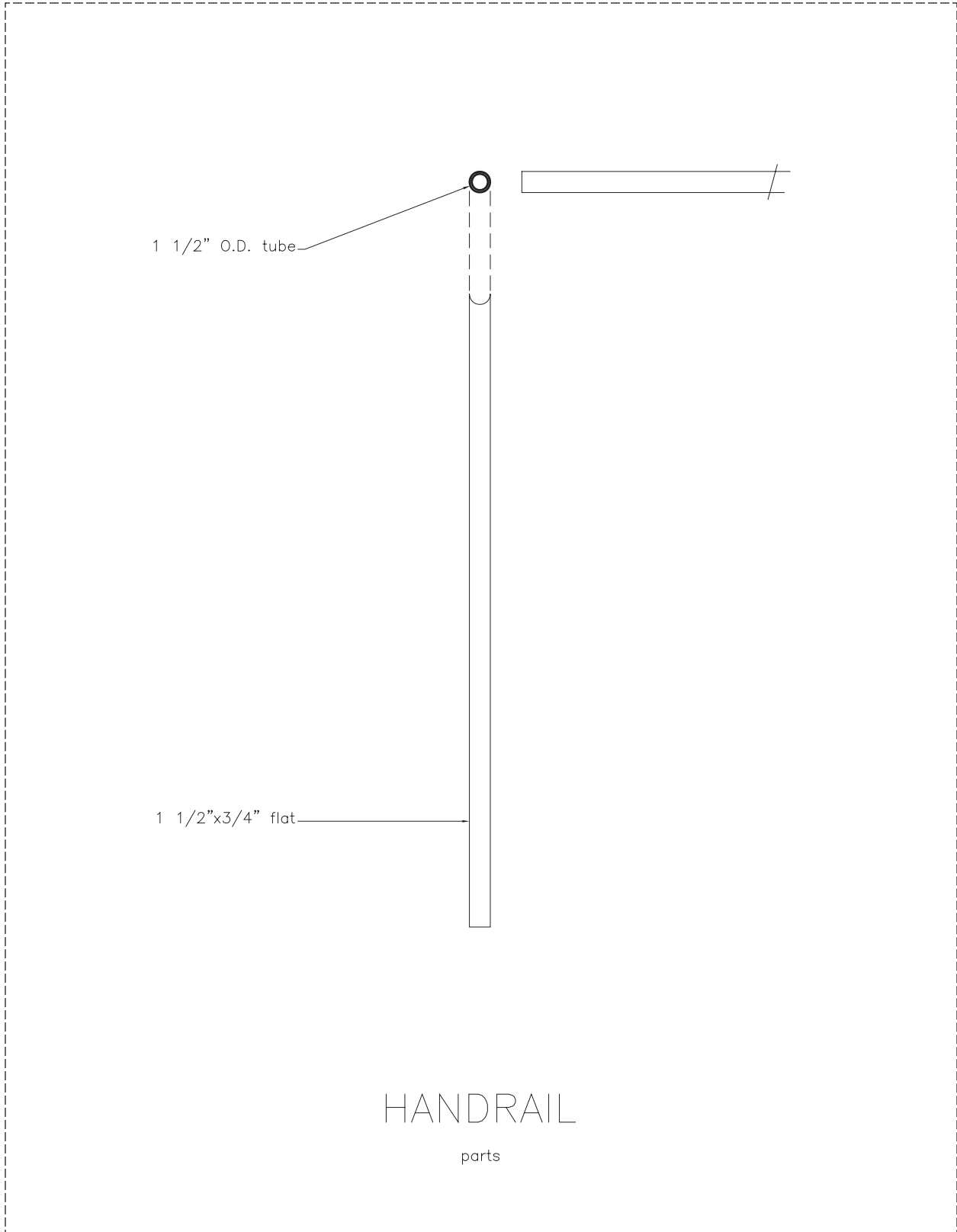
HANDRAIL - Contemporary

CAD file available for download at <http://planning.uark.edu>



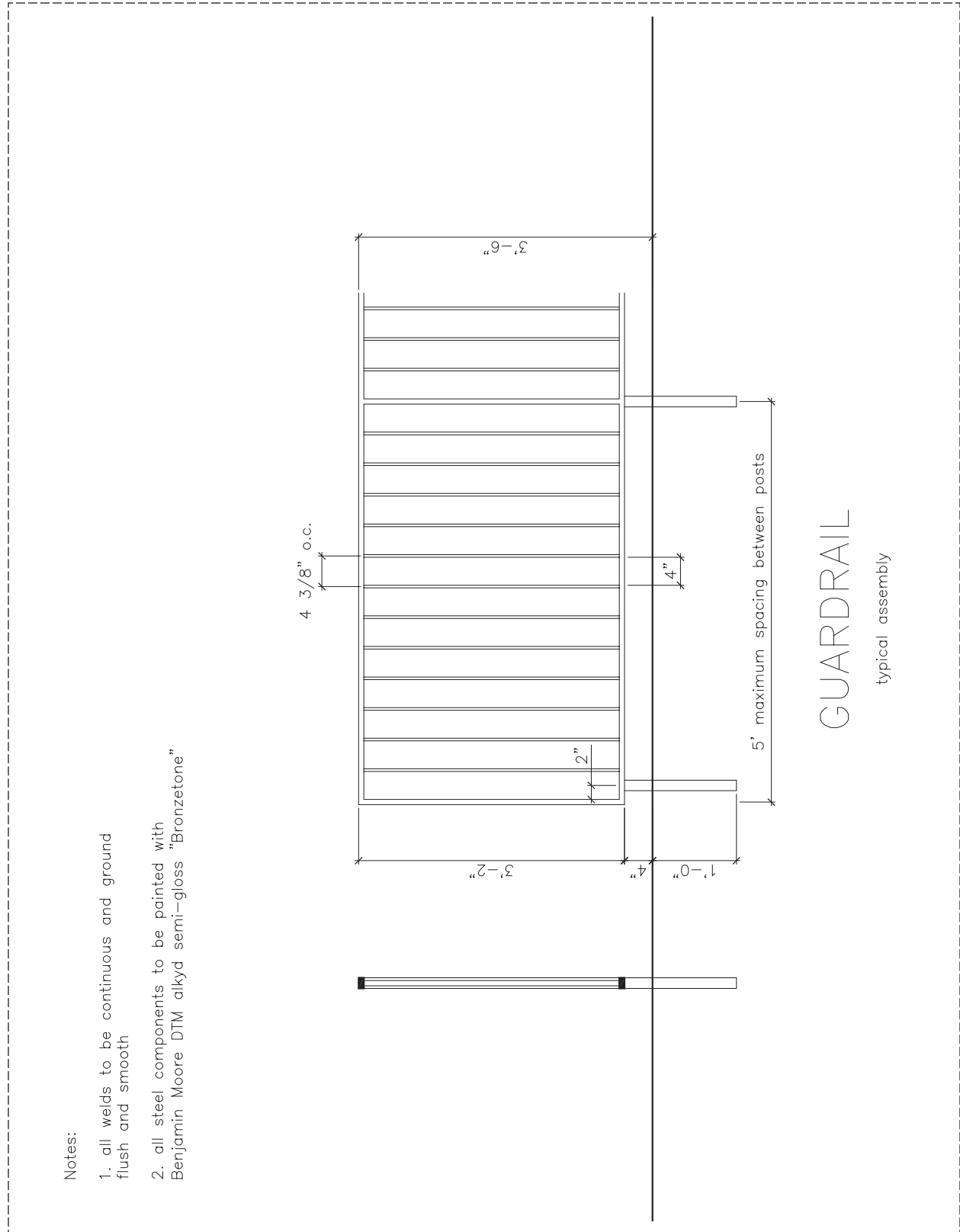
HANDRAIL - Contemporary

CAD file available for download at <http://planning.uark.edu>



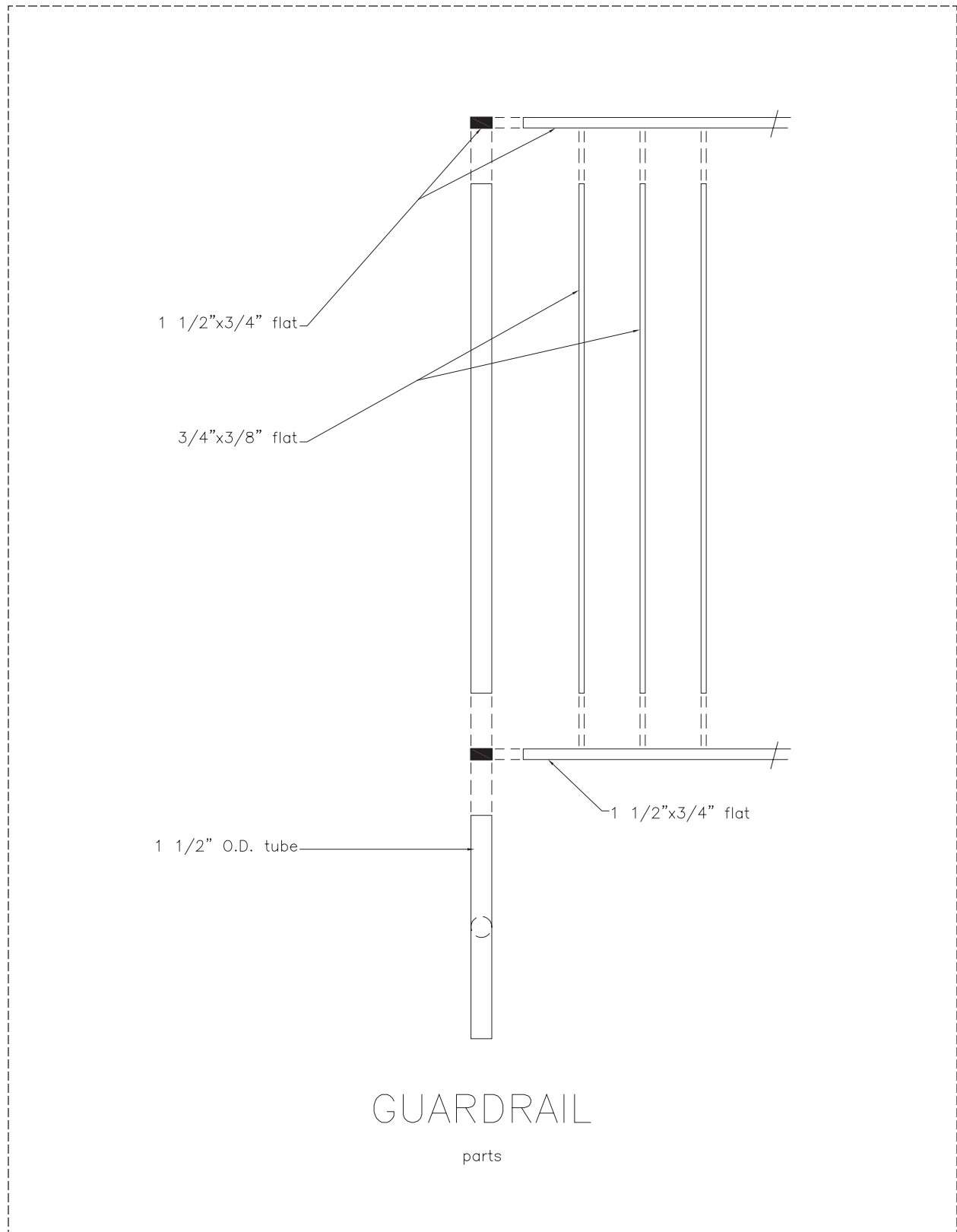
GUARDRAIL - Contemporary

CAD file available for download at <http://planning.uark.edu>



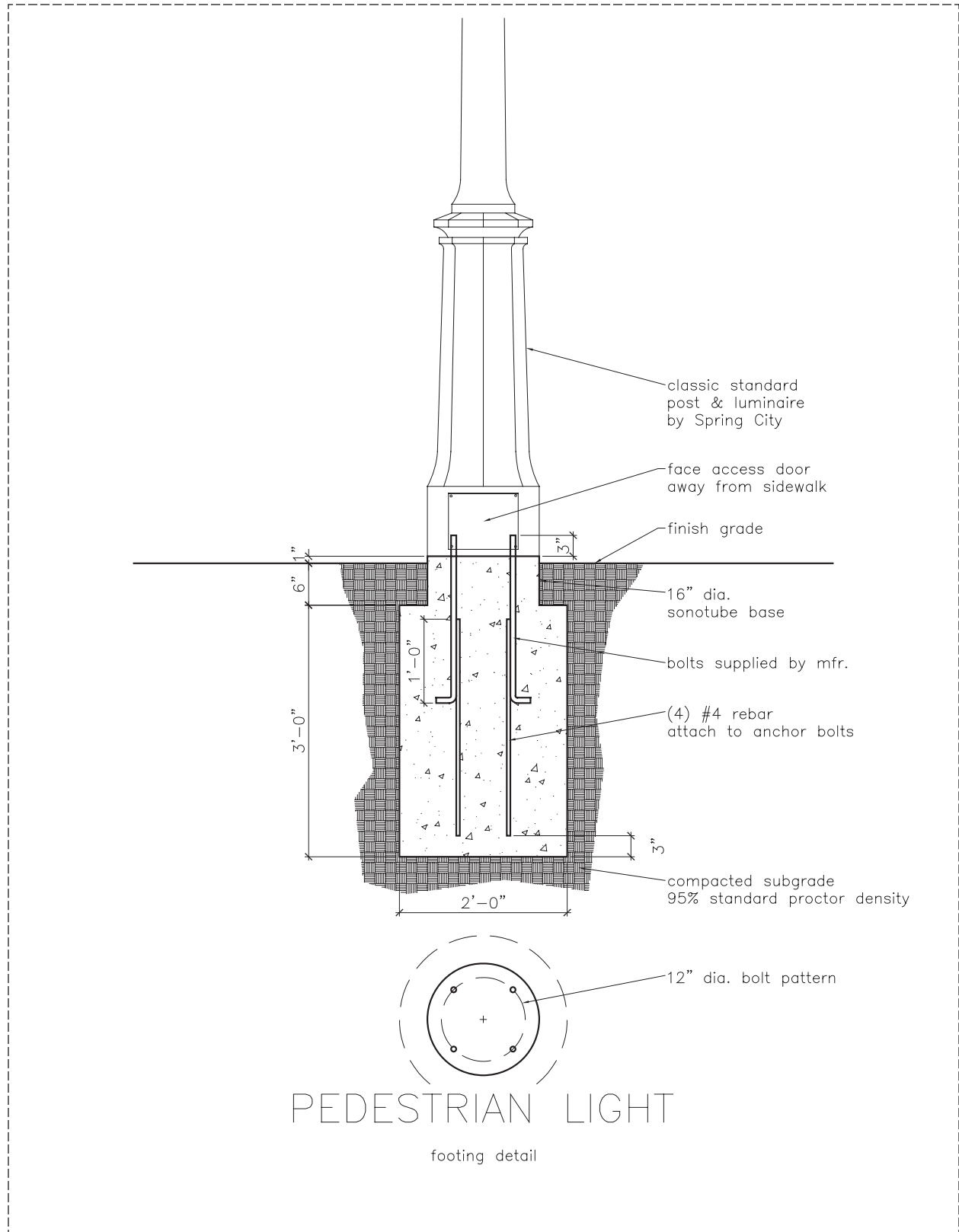
GUARDRAIL - Contemporary

CAD file available for download at <http://planning.uark.edu>



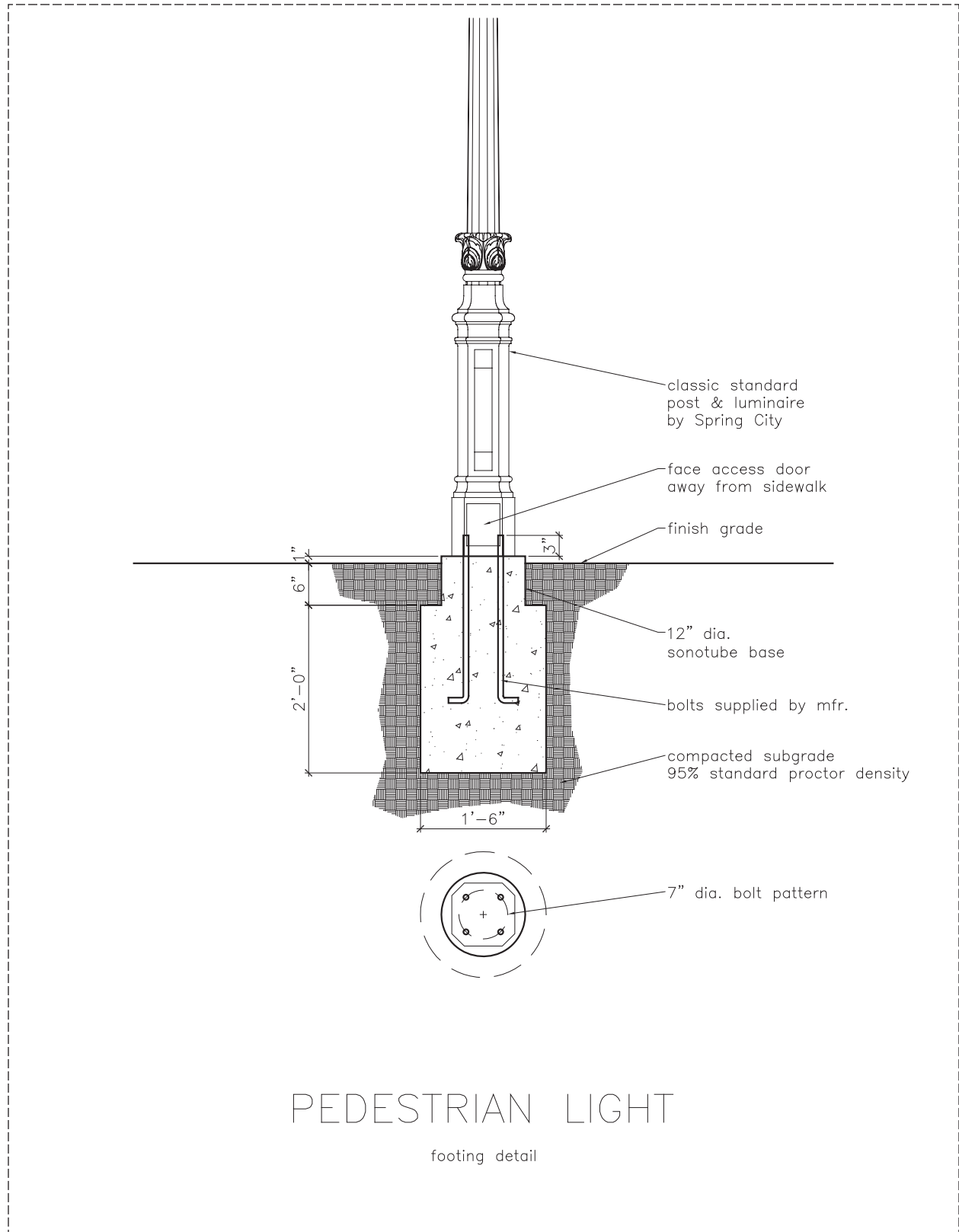
PEDESTRIAN LIGHT - Classic

CAD file available for download at <http://planning.uark.edu>



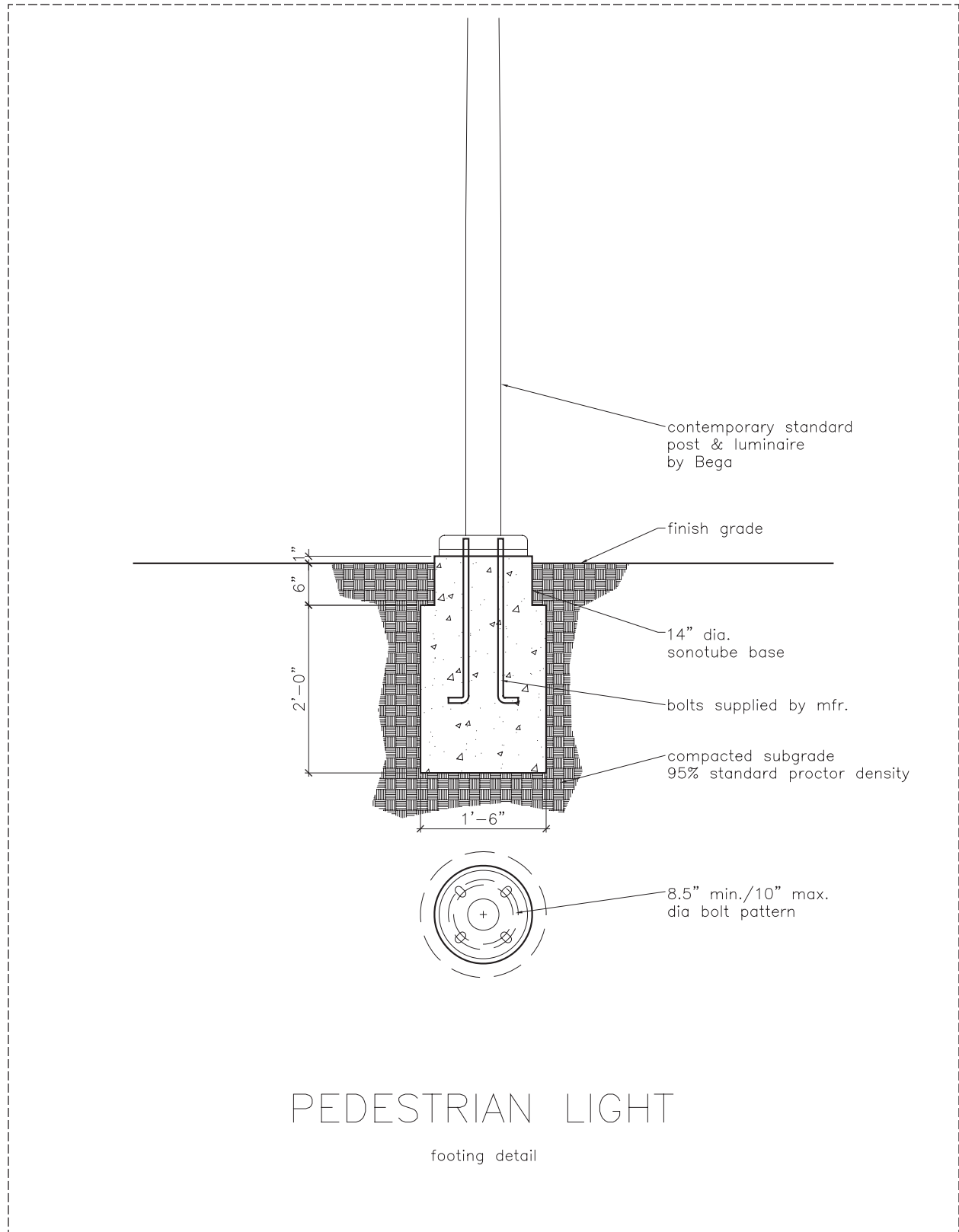
PEDESTRIAN LIGHT - Classic alternate*

CAD file available for download at <http://planning.uark.edu>



PEDESTRIAN LIGHT - Contemporary

CAD file available for download at <http://planning.uark.edu>

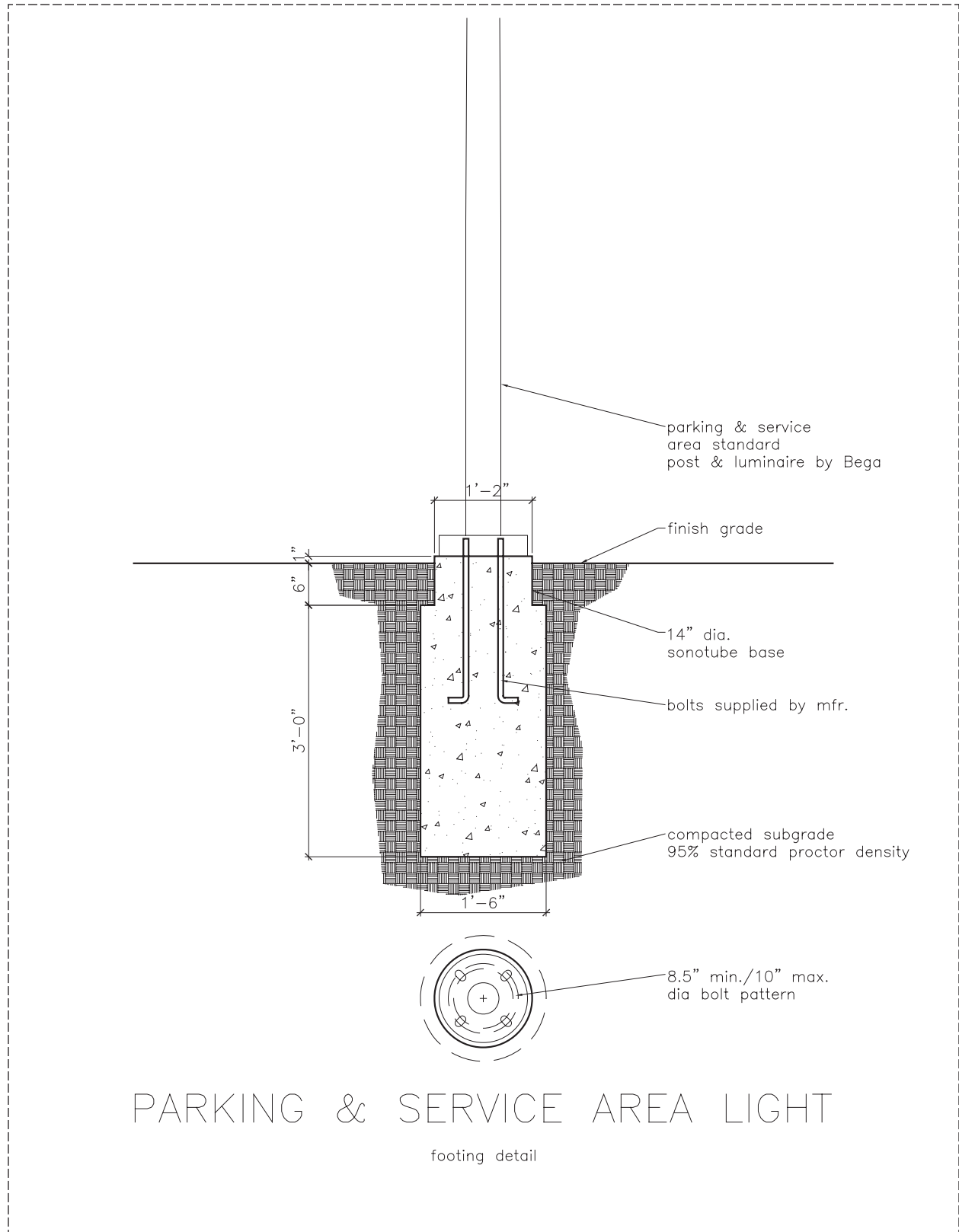


PEDESTRIAN LIGHT

footing detail

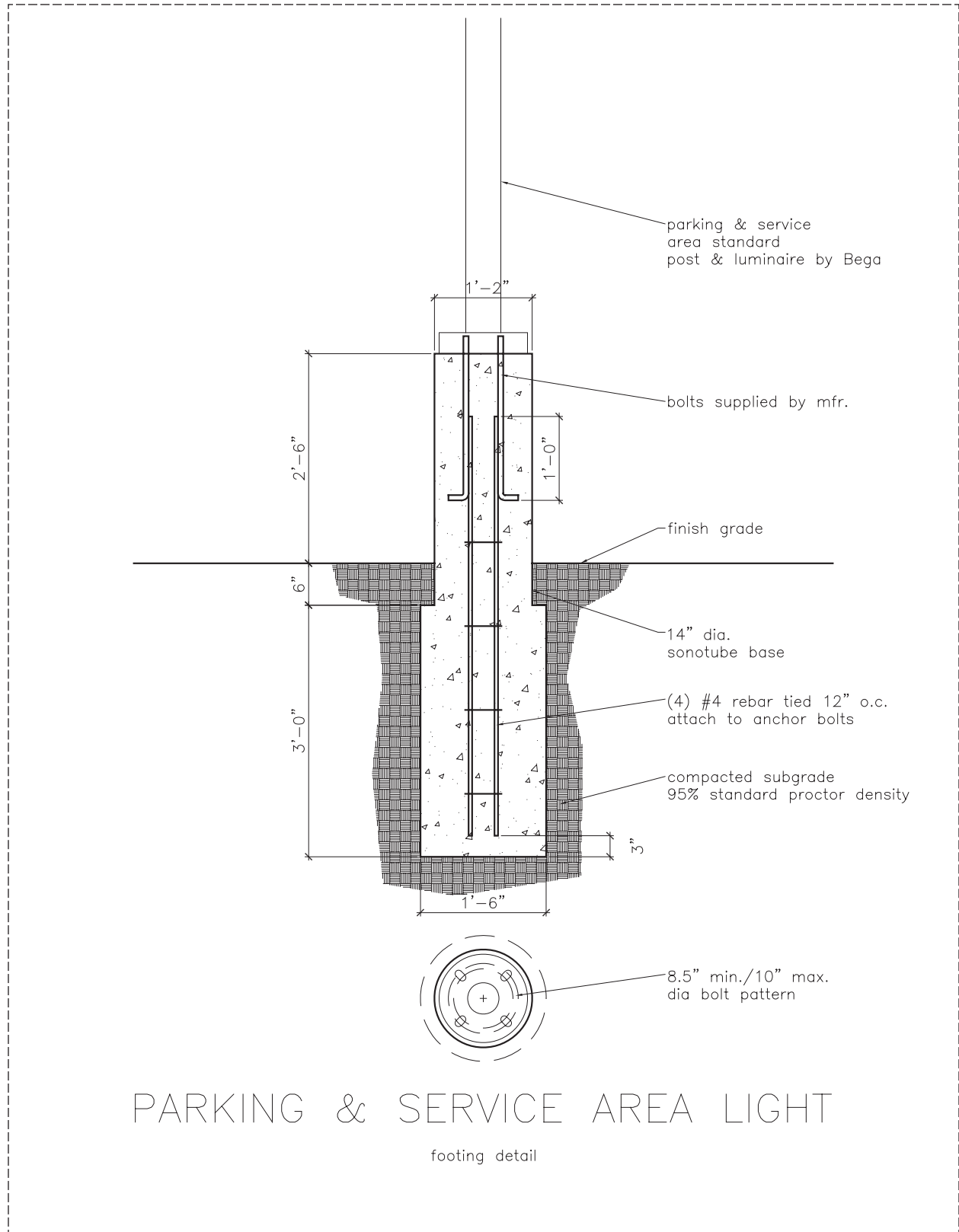
PARKING & SERVICE AREA LIGHT

CAD file available for download at <http://planning.uark.edu>



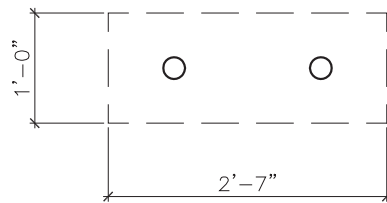
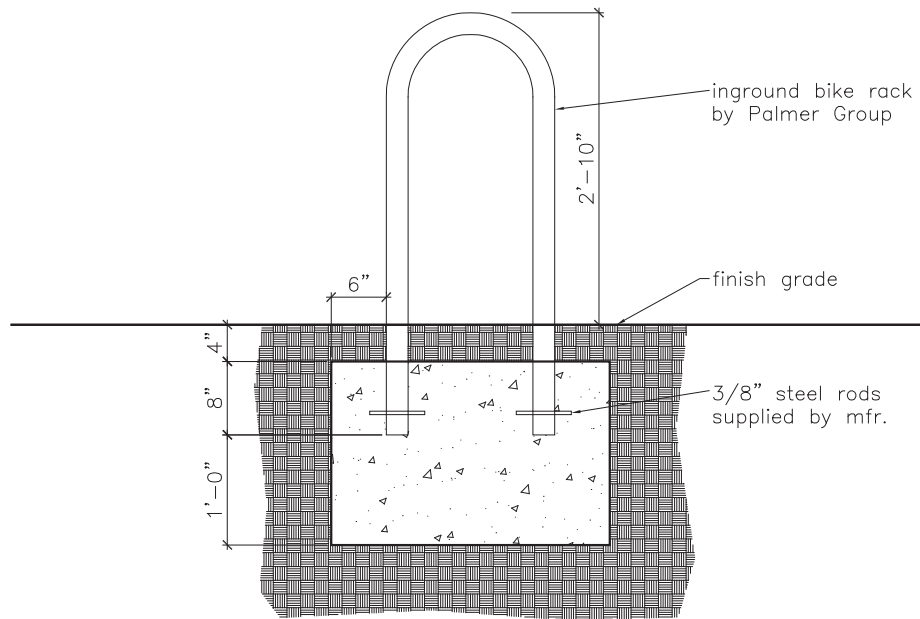
PARKING & SERVICE AREA LIGHT

CAD file available for download at <http://planning.uark.edu>



IN-GROUND MOUNT BIKE RACK

CAD file available for download at <http://planning.uark.edu>

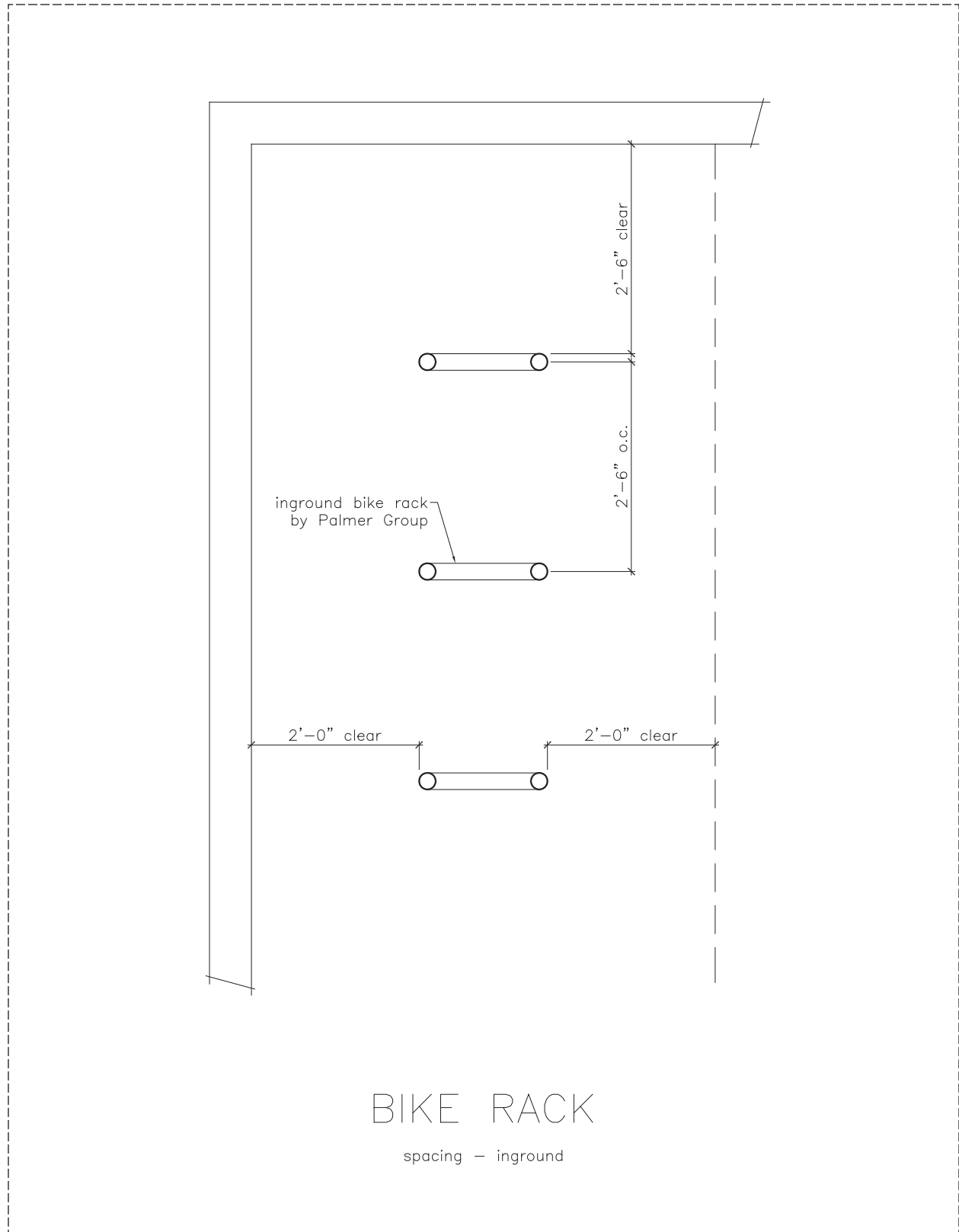


BIKE RACK

footing detail - inground

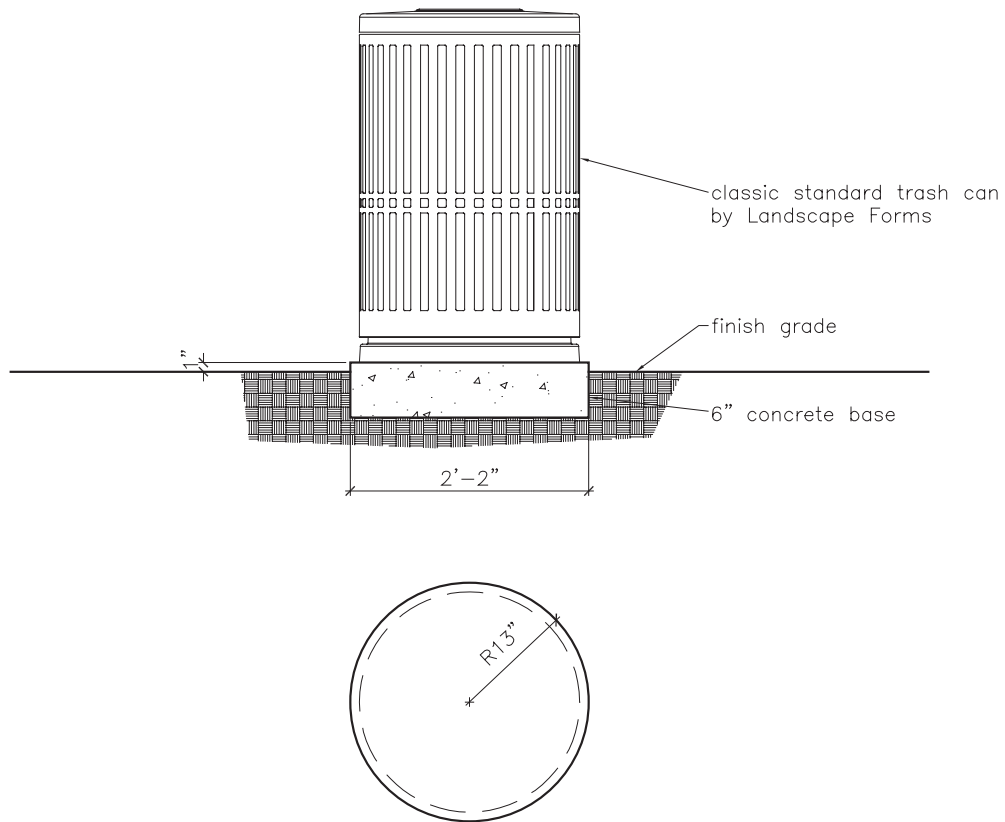
IN-GROUND MOUNT BIKE RACK

CAD file available for download at <http://planning.uark.edu>



TRASH CAN - Classic

CAD file available for download at <http://planning.uark.edu>

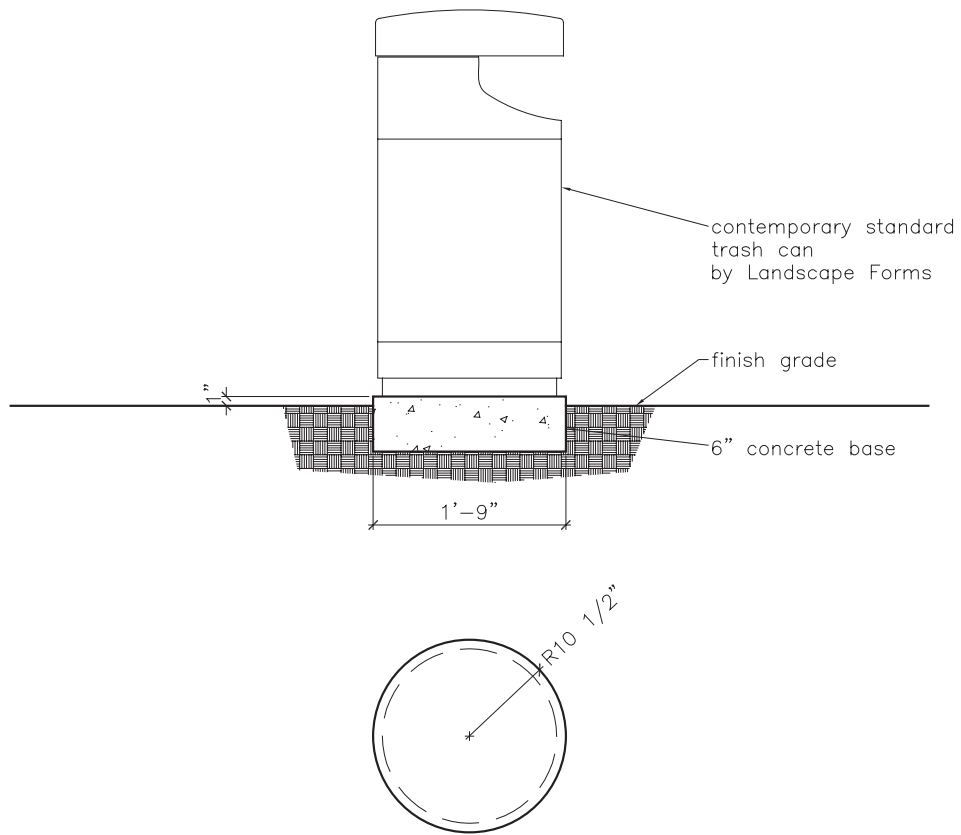


TRASH CAN

footing detail

TRASH CAN - Contemporary

CAD file available for download at <http://planning.uark.edu>

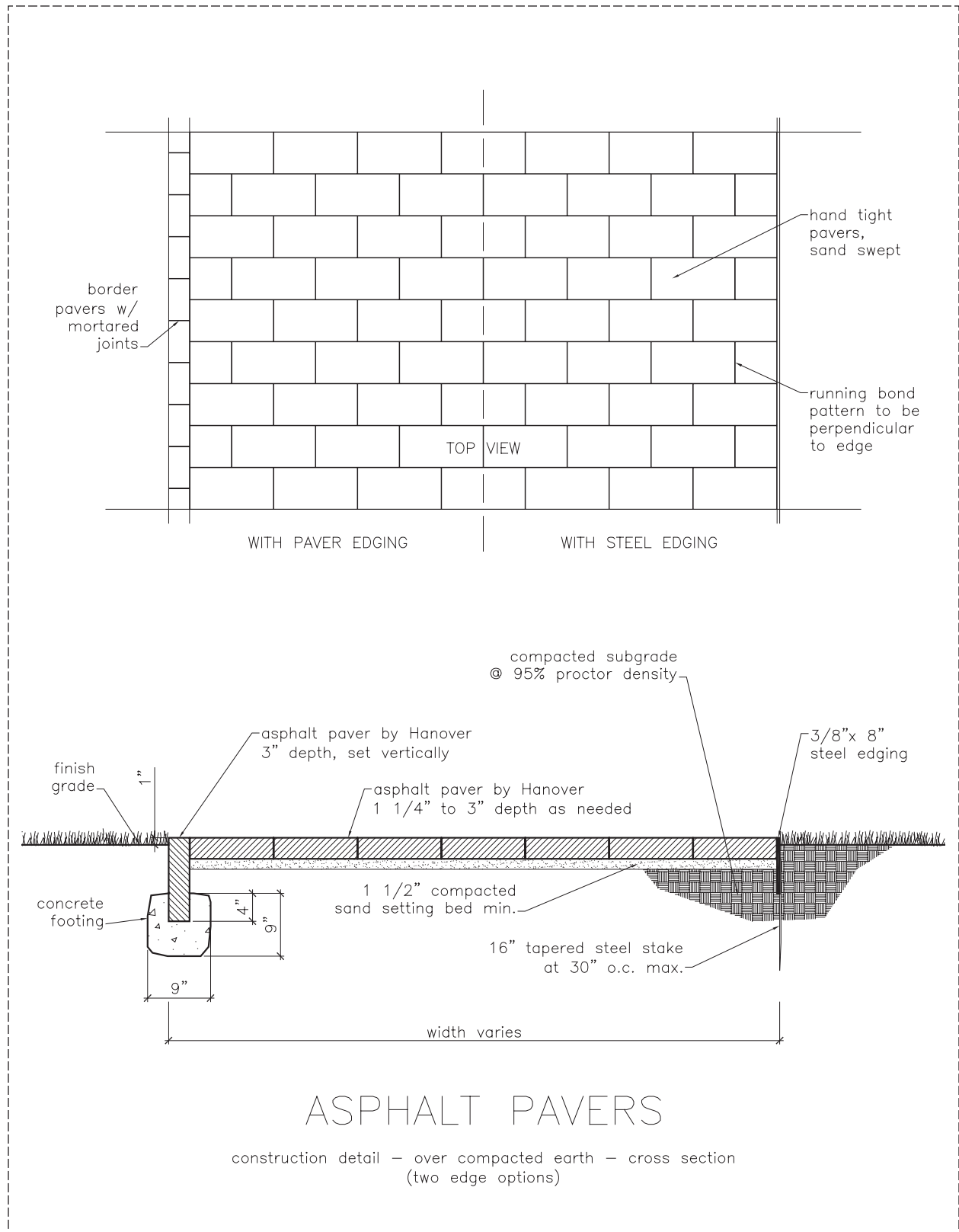


TRASH CAN

footing detail

ASPHALT PAVER WALK

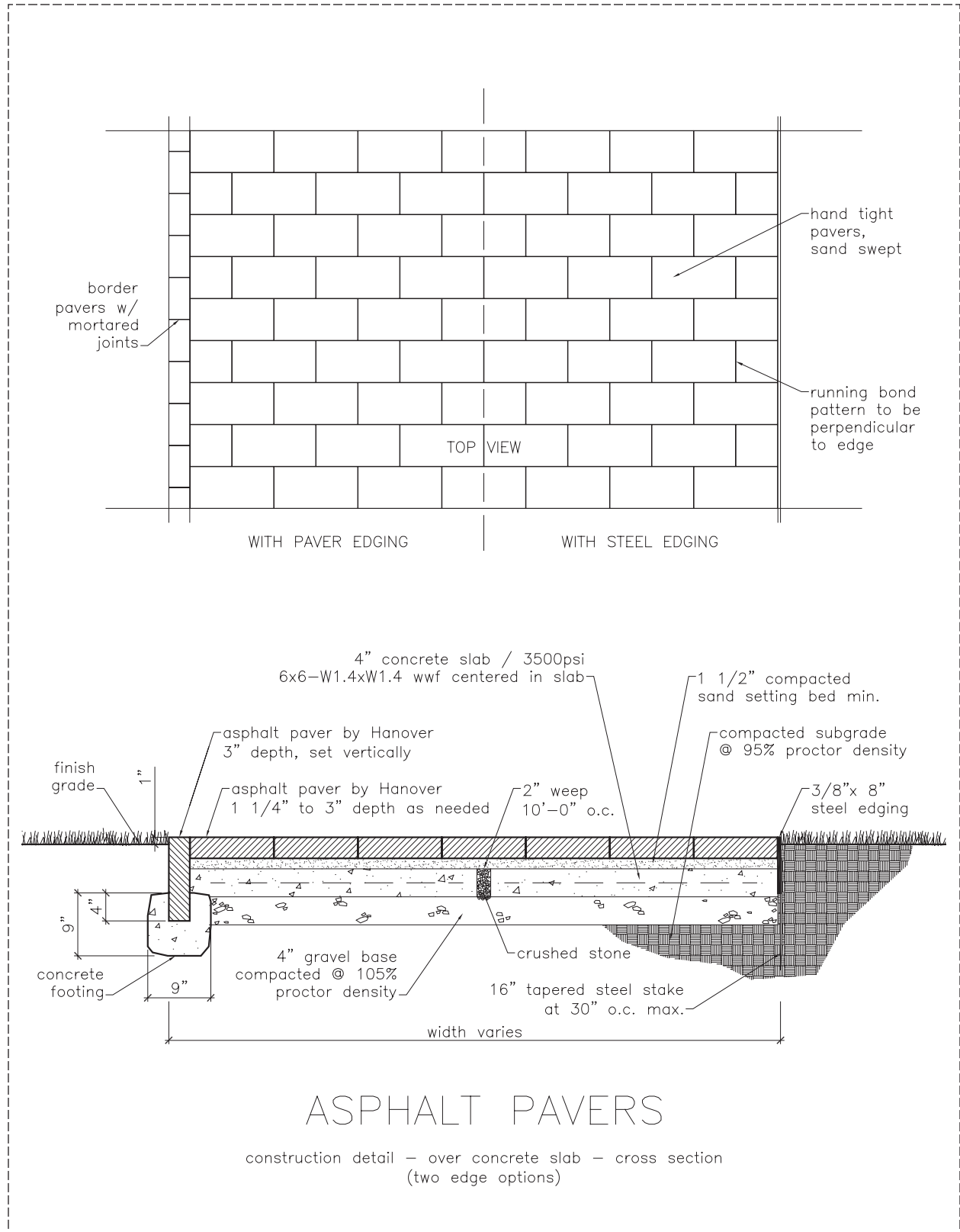
CAD file available for download at <http://planning.uark.edu>



LANDSCAPE STANDARDS

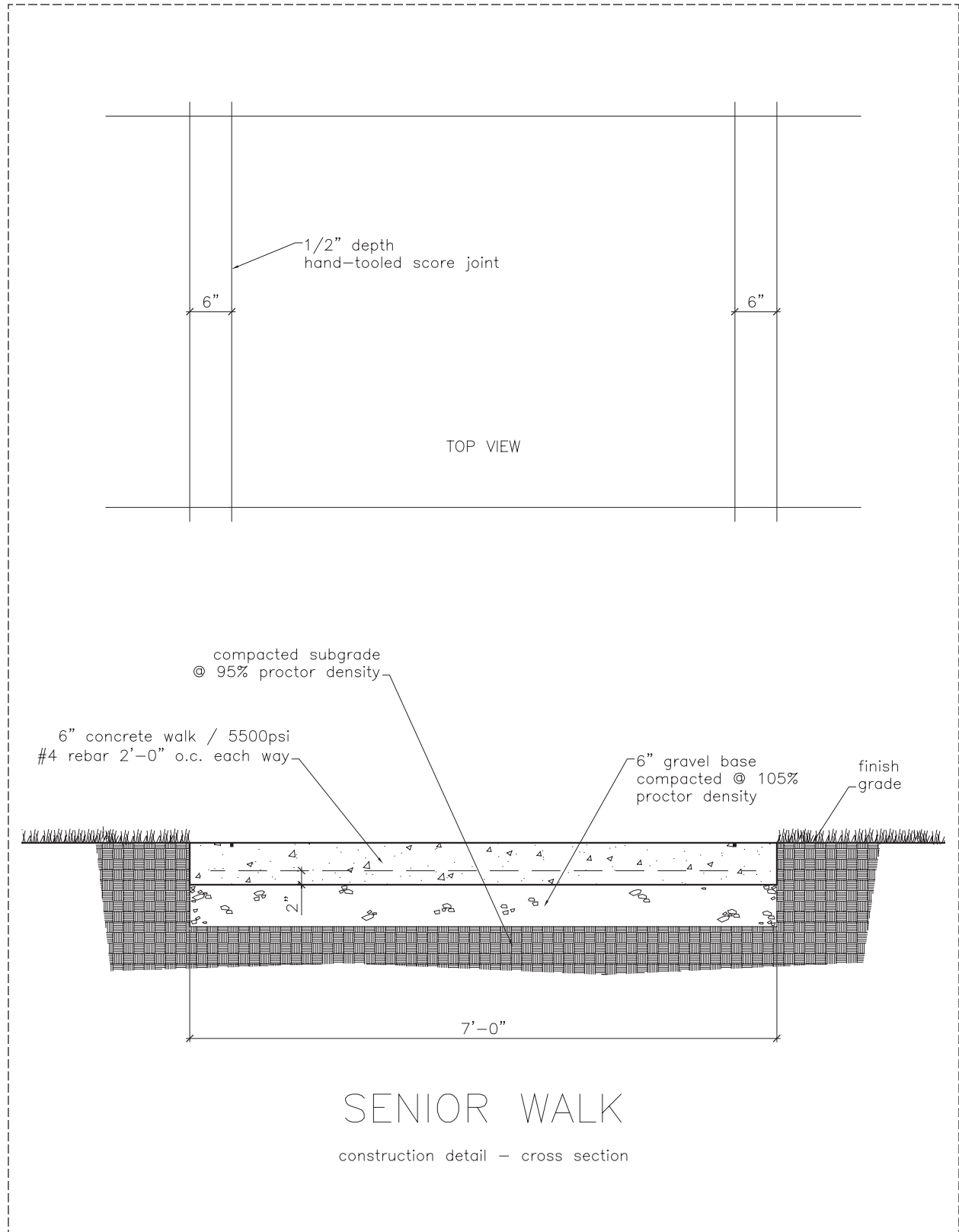
ASPHALT PAVER WALK

CAD file available for download at <http://planning.uark.edu>



SENIOR WALK

CAD file available for download at <http://planning.uark.edu>

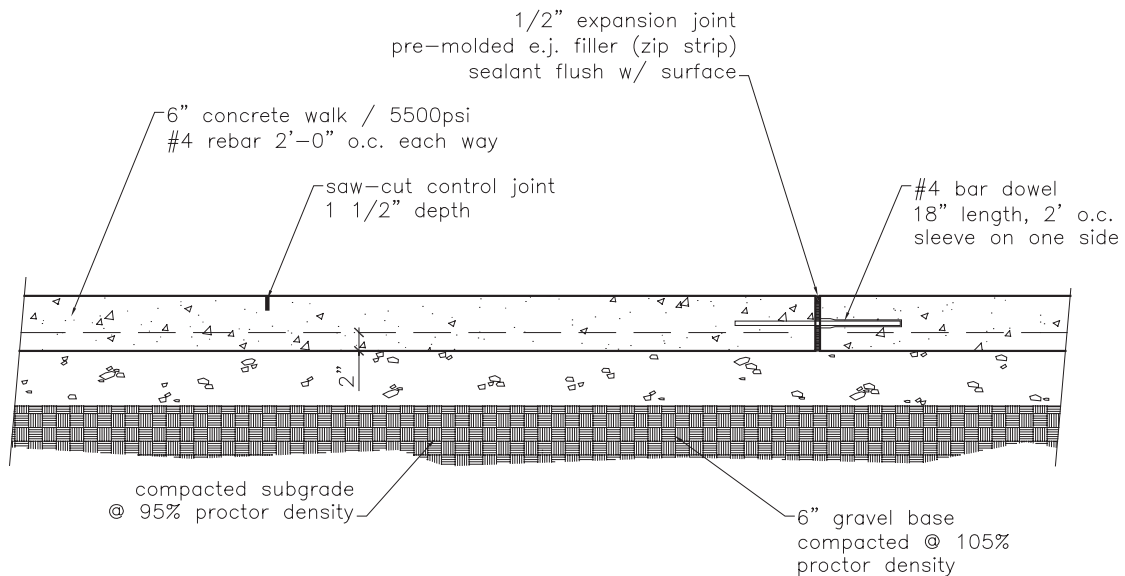


SENIOR WALK

CAD file available for download at <http://planning.uark.edu>

Notes:

1. concrete to be 5500psi
2. reinforcing to consist of #4 bar at 2'-0" o.c. each way, 2" from bottom of slab
3. concrete mix to have maximum 3/4" aggregate
4. compressive strength of concrete test cylinders to be taken by contractor at his expense on day of pour
5. walk to have a minimum curing time of 90 days prior to sandblasting
6. 4" dia. PVC schedule 40 sleeve at 30'-0" o.c.
7. saw-cut control joints at 15'-0" o.c. to be cut within 24 hrs. of pour
8. expansion joints at 30'-0" o.c.
9. walk surface to have slick trowel finish
10. contractor to "press" top 1/2" of wet concrete so that aggregate material is 1/2" below top of walk
11. "S" stamp to be embossed by contractor at all sleeve locations, each side



SENIOR WALK

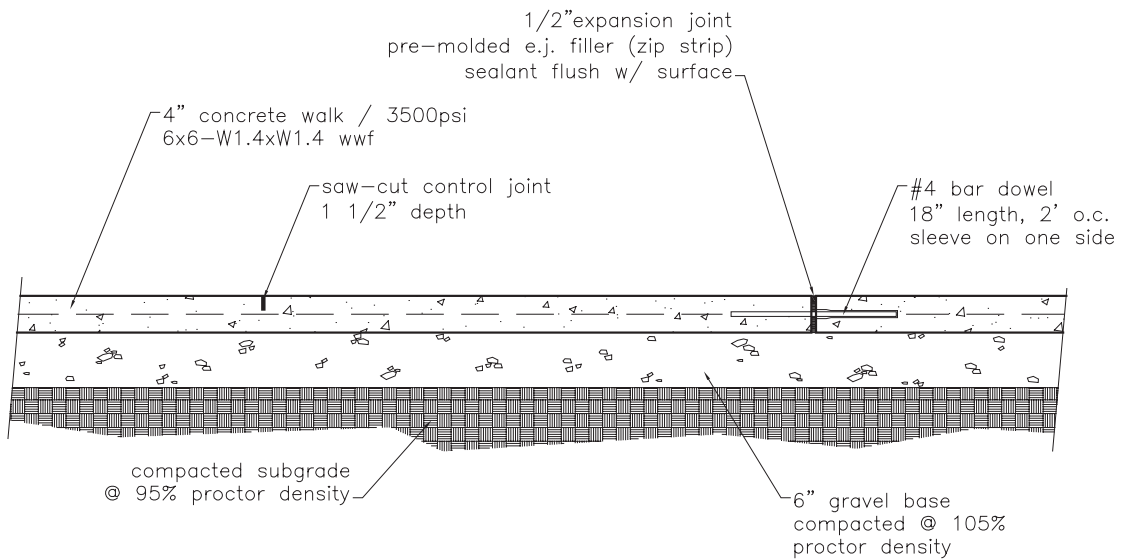
construction detail – longitudinal section

4-inch CONCRETE WALK

CAD file available for download at <http://planning.uark.edu>

Notes:

1. 4" dia. PVC schedule 40 sleeve at 30'-0" o.c. (as required by owner)
2. saw-cut control joints at 15'-0" o.c.
3. expansion joint at 30'-0" o.c.
4. walk surface to have light broom finish
5. "S" stamp to be embossed by contractor at all sleeve locations, each side



4" CONCRETE WALK

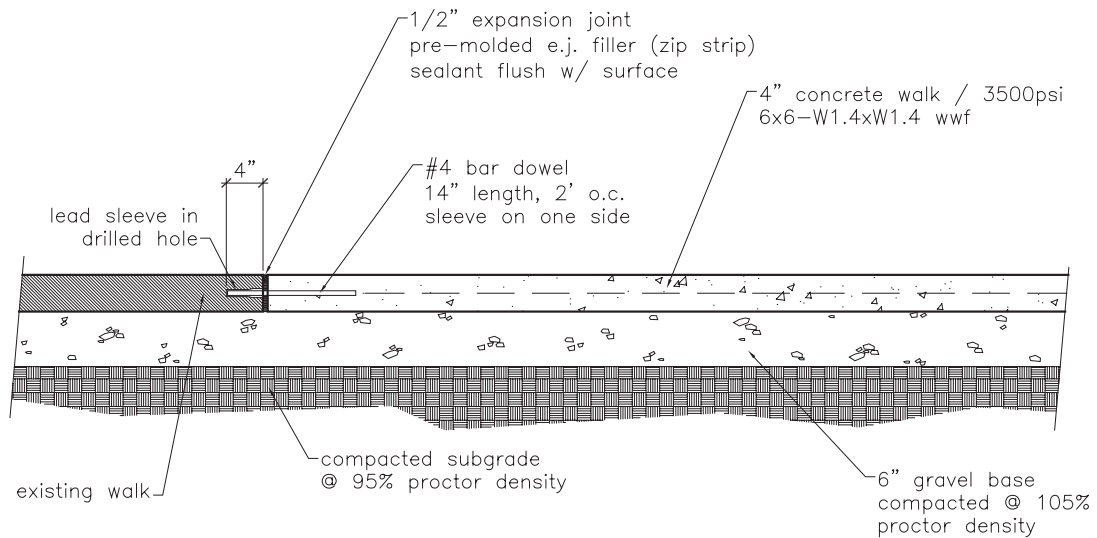
construction detail – longitudinal section

4-inch CONCRETE WALK

CAD file available for download at <http://planning.uark.edu>

Notes:

1. 4" dia. PVC schedule 40 sleeve at 30'-0" o.c. (as required by owner)
2. saw-cut control joints at 15'-0" o.c.
3. expansion joint at 30'-0" o.c.
4. walk surface to have light broom finish
5. "S" stamp to be embossed by contractor at all sleeve locations, each side



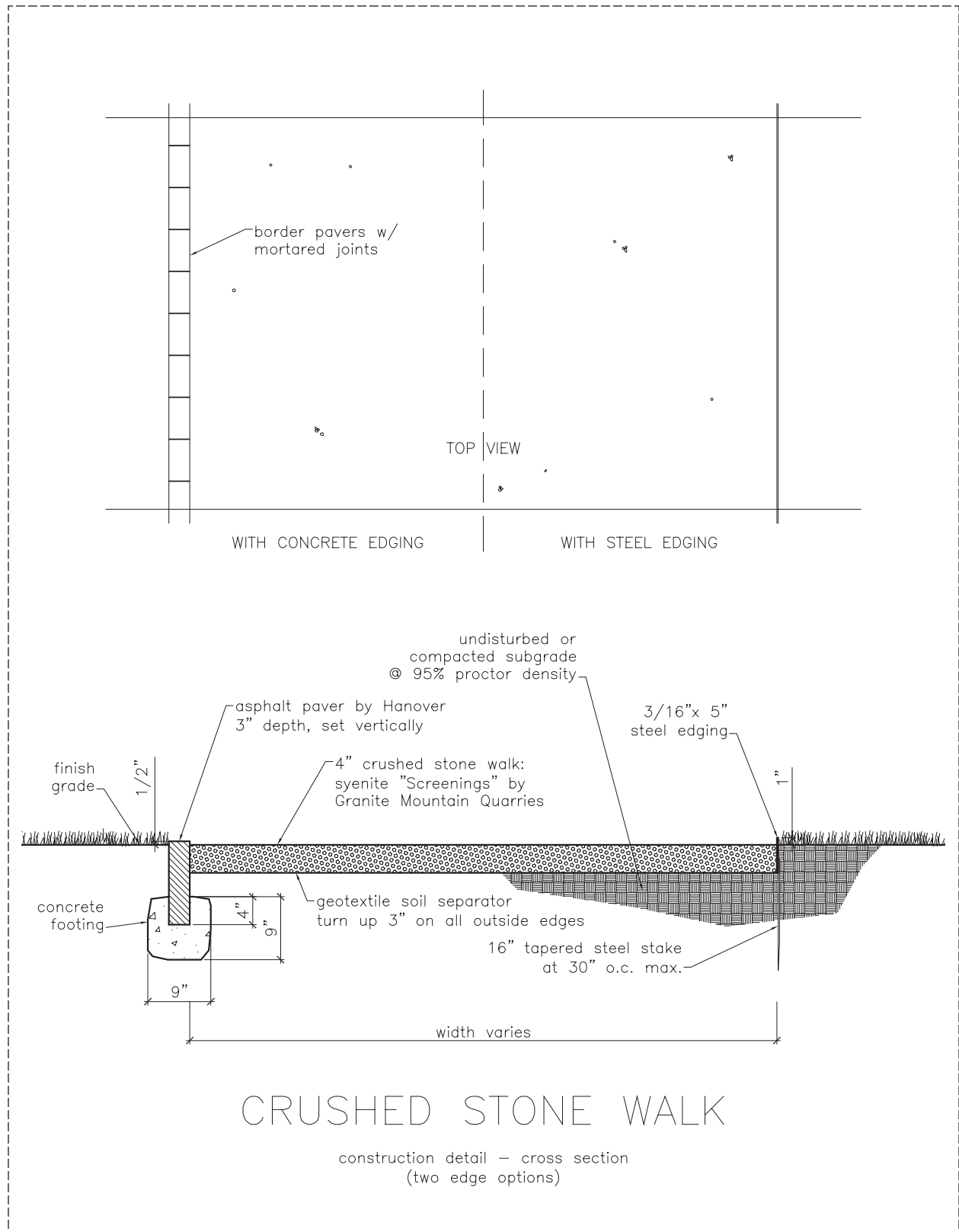
4" CONCRETE WALK at EXISTING WALK

construction detail – longitudinal section

LANDSCAPE STANDARDS

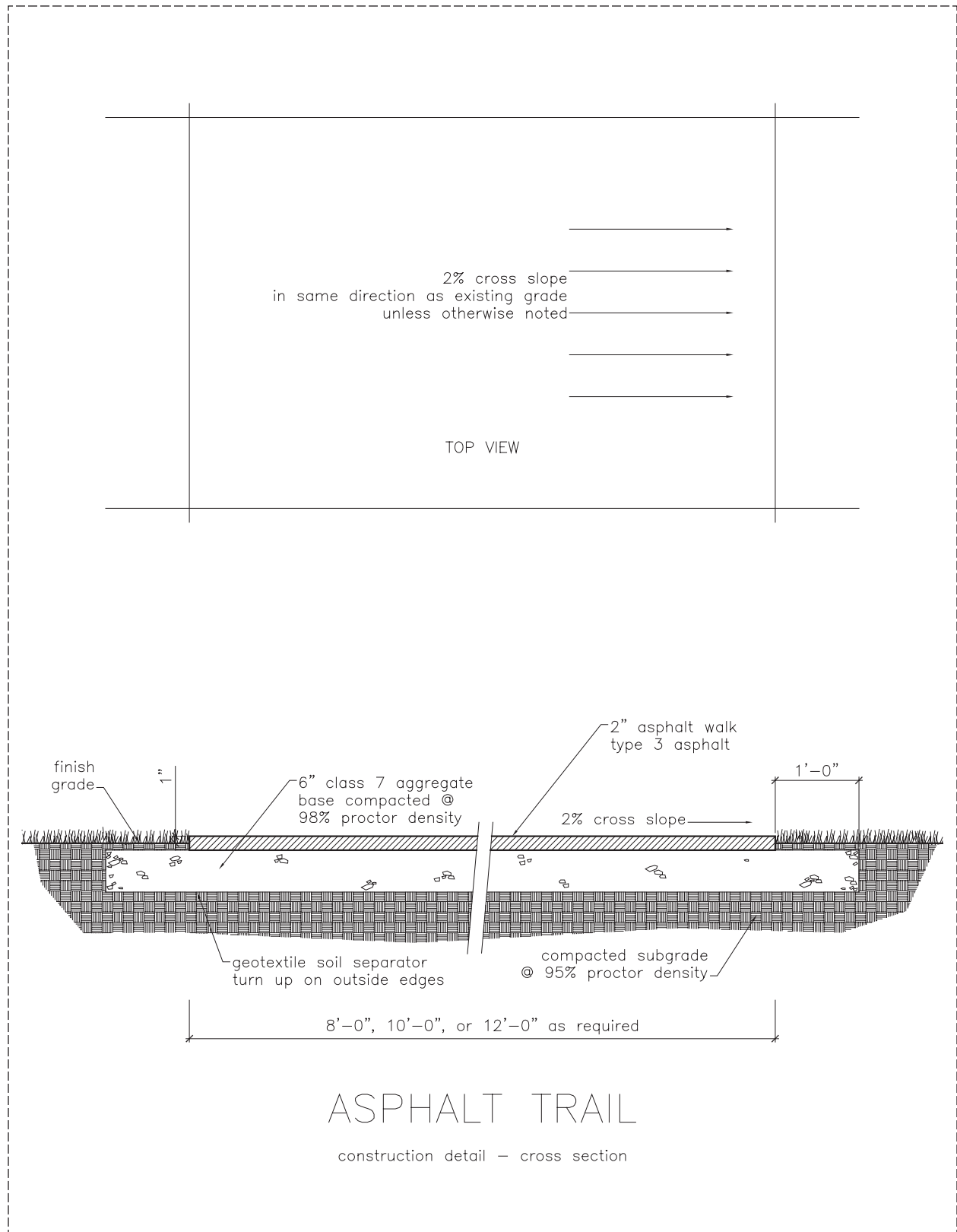
CRUSHED STONE WALK

CAD file available for download at <http://planning.uark.edu>



ASPHALT TRAIL

CAD file available for download at <http://planning.uark.edu>



ASPHALT TRAIL

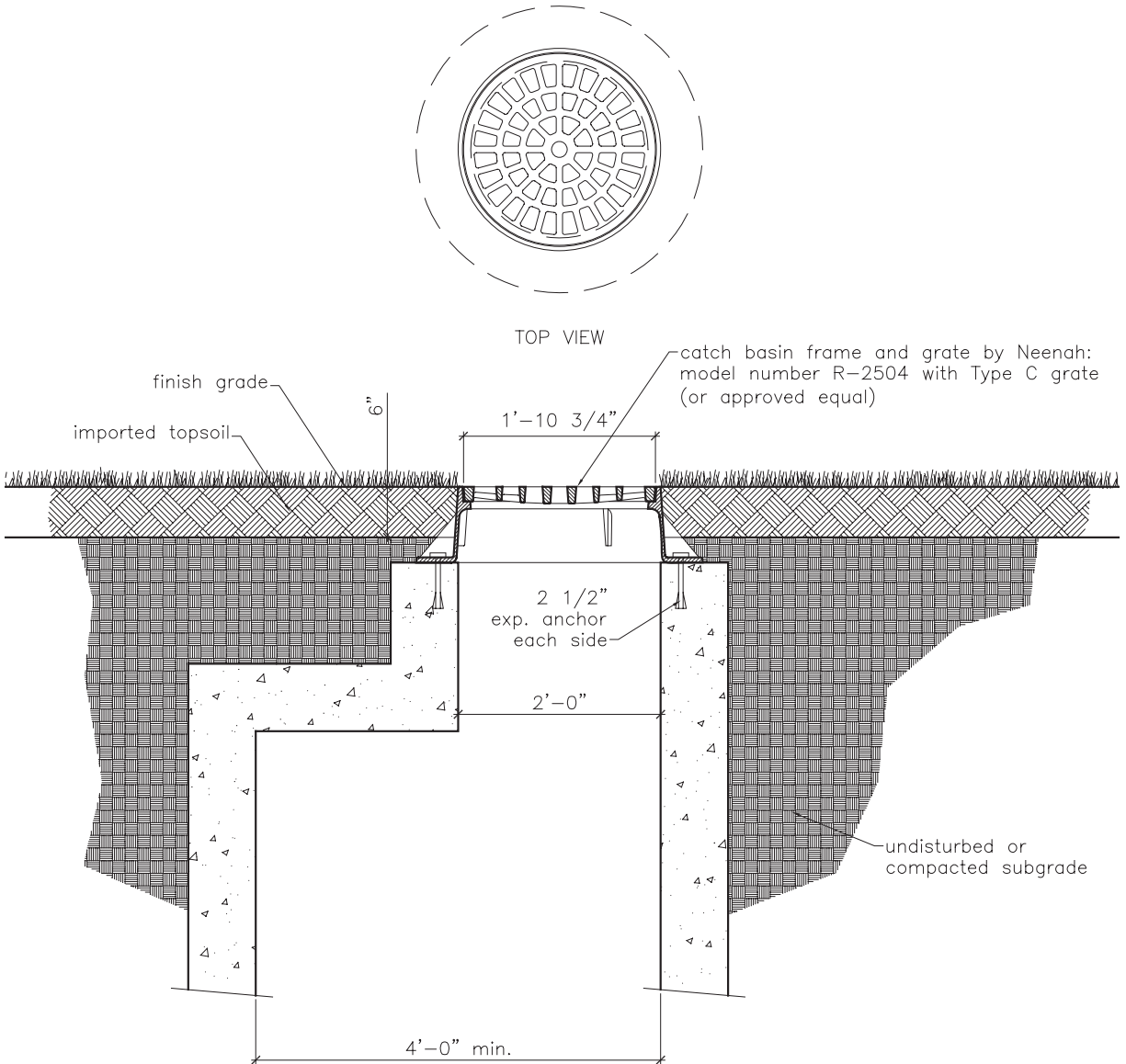
construction detail - cross section

DRAIN INLET

CAD file available for download at <http://planning.uark.edu>

Notes:

1. consult engineer for structural details



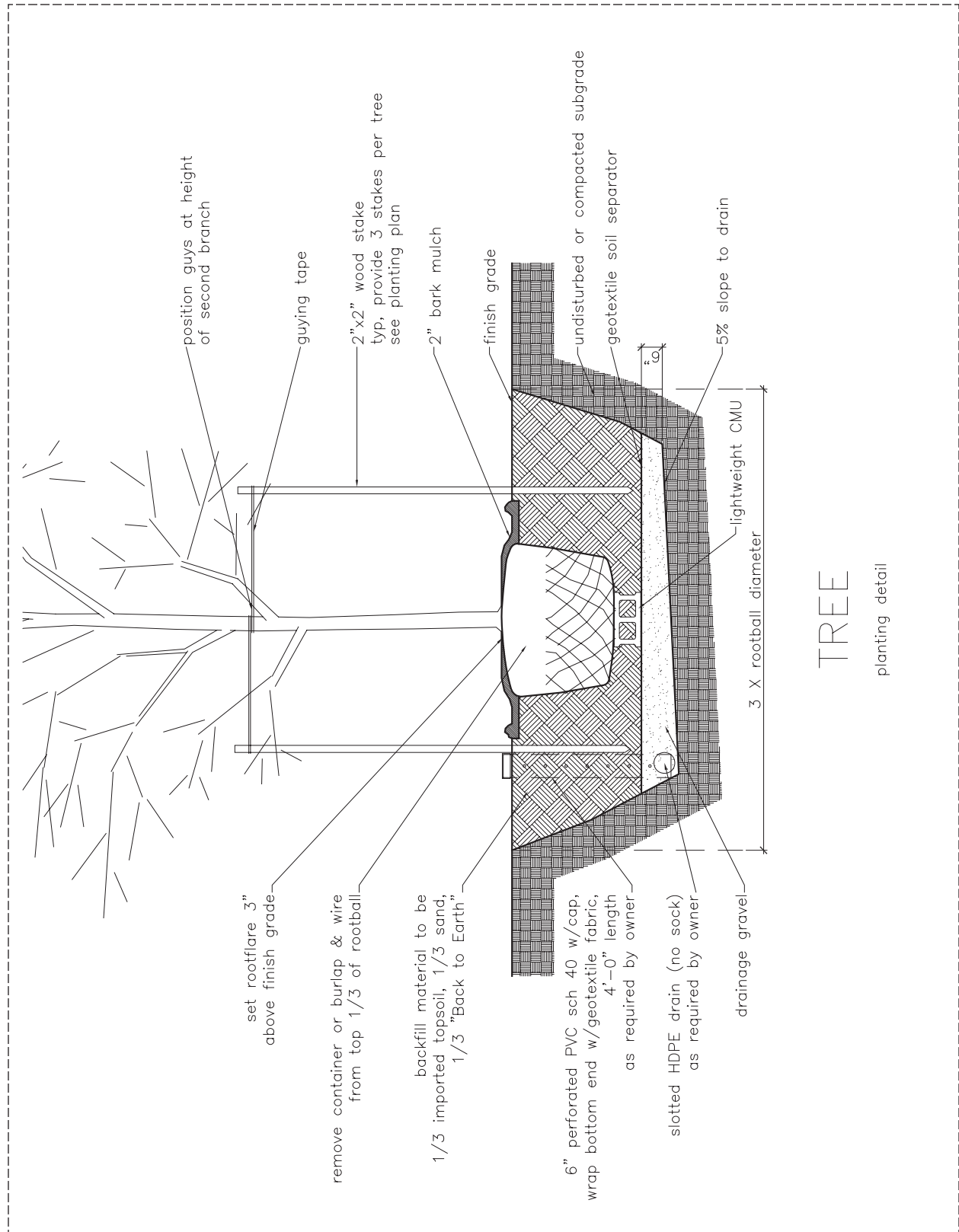
DRAIN INLET IN LAWN

construction detail – cross section

LANDSCAPE STANDARDS

TREE

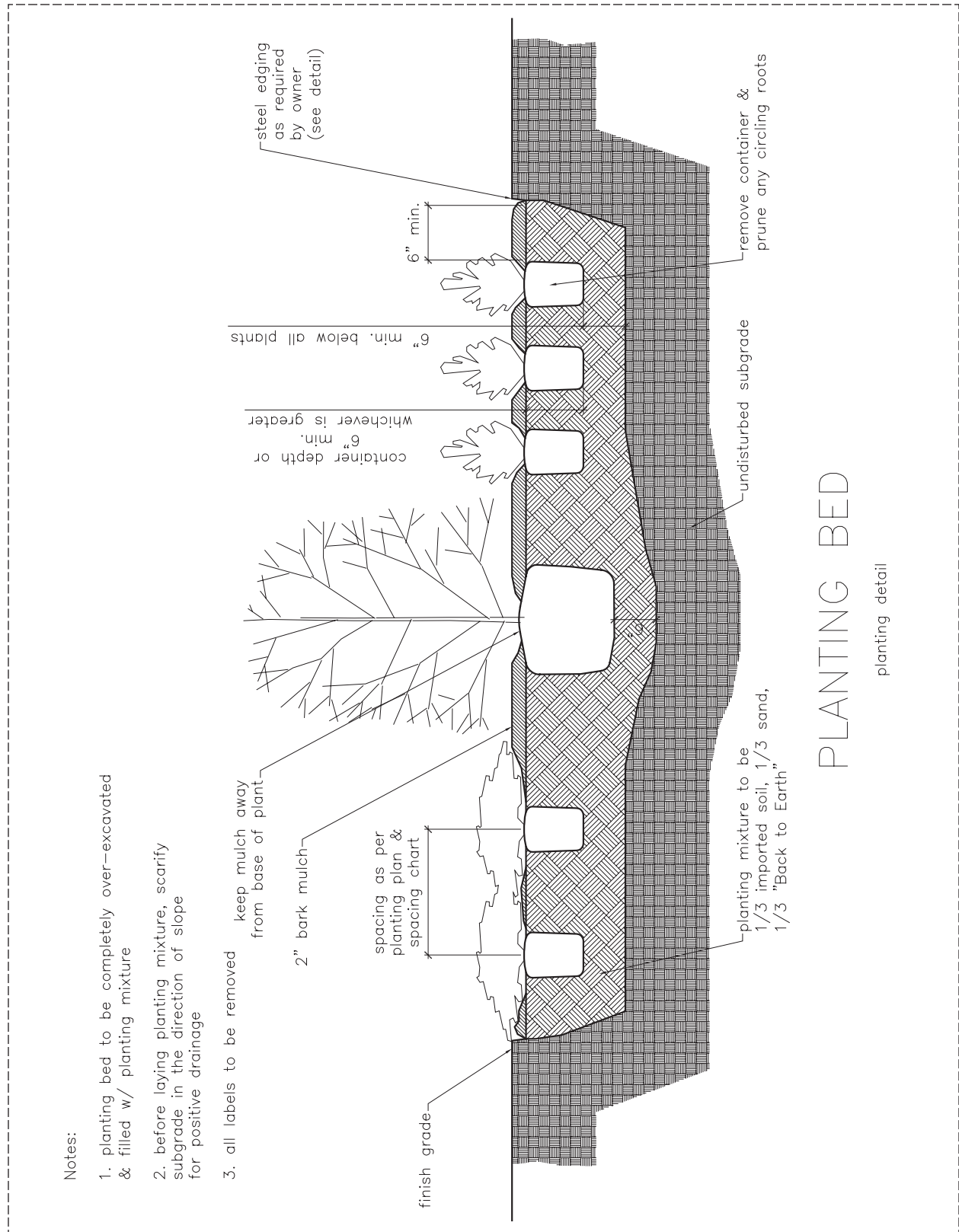
CAD file available for download at <http://planning.uark.edu>



LANDSCAPE STANDARDS

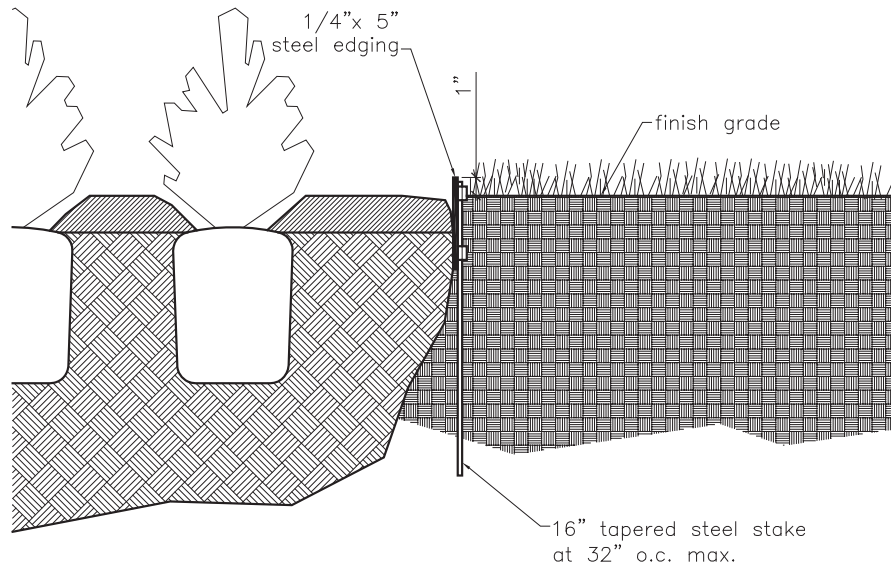
PLANTING BED

CAD file available for download at <http://planning.uark.edu>



STEEL EDGING

CAD file available for download at <http://planning.uark.edu>



STEEL EDGING

detail